



TARGET

DISTRIBUTING

A Division of Michiana Midget Motors Inc.

2025

Ordering Options

Online

Through our e-commerce website is the quickest and most efficient way to place your order:

www.targetdistributing.net

The website will provide you with the most up to date and accurate pricing. Once orders are received a representative will reply, confirming your order and indicating any items out of stock, and anticipated ship date if available. For issues with login and/or password please contact Joe at:

1-800-348-5076, or

Joe@targetdistributing.net

Phone

Orders placed by phone will be input directly into our system. This allows us to provide you with valuable information on current prices and product availability.

To assure a smooth order experience please take the following steps:

1. Complete your purchase order prior to calling. This includes complete Part Number and quantities. All return/replacement shipping charges are your responsibility if orders are placed without the correct part number.
2. When calling, please provide your Customer Number (located on an invoice or the back of your catalog) and any purchase order number for your internal reference. We have several dealers with very similar names, it is important accuracy that you provide your Customer Number.
3. Indicate any "need by date" or preferred shipping method. Please communicate if you are looking for the cheapest shipping option, prefer a certain carrier, or need items by a certain date.
4. If paying by Credit Card, indicate if there is any change in your preferred card. If it has been at least a year since your previous order, please verify your current card information with Stacey. **Credit Card Information cannot be updated through the website, not even in the memo or comments section.**

Email

Please email any orders to :

orders@targetdistributing.net

Emails sent to this address will go to All employees in the office, ensuring your order is not missed in the event of an absence.

Fax

Fax Orders to :

1-888-827-9243

On your fax order and/or cover page include:

Customer Number

Contact Name and Number for questions.

Shipping Information

**\$25 Flat Rate Shipping on Orders over \$1,000
Free Shipping on Orders of \$1,500**

Exclusions & Limitations

Briggs Engines & Shortblocks

The cost of these items WILL NOT count toward the required total for special rate shipping. If your order reaches the required total WITHOUT these items it will be handled as such:

Over \$1,000 shipping charges will be \$25 + cost to ship excluded items

Over \$1,500 shipping charges will be only cost to ship excluded items

Seats

The cost of seats will count toward the required \$1000/\$1,500. You are charged for the cost of shipping per box.

Over \$1,000 shipping charges will be \$25 + cost to ship any seat box(es)

Over \$1,500 shipping charges will be only cost to ship seat box(es)

MyChron Gauges

The cost of MyChron does not count toward your required \$1,000/\$1,500 limit. Once the order reaches the required amount WITHOUT the gauges ship at no additional cost.

Over \$1,000 shipping charges will be \$25

Over \$1,500 shipping charges are free

Multiple Helmet Shipments

The cost of multiple helmets (any amount greater than 1) will count toward the required \$1000/\$1500. You are charged for the cost of shipping per box.

Over \$1,000 shipping charges will be \$25 + cost to ship any helmet box(es)

Over \$1,500 shipping charges will be only cost to ship helmet box(es)

Missing or Damaged Items

We must be notified immediately of any shipments received with damaged or missing items.

- Check Shipment in as soon as possible.
- **Forward a list of missing items along with pictures of all sides of the boxes (damaged or not), and a picture of the shipping label. If there are damaged items, include pictures of these as well.**
- Retain all damaged items and packaging until the issue has been resolved.

Order Add Ons

We do our best to include any order additions with your original order when packaging. Add on requests received late in the day, or on a day with a high volume of orders, may be shipped separately and treated as a separate order.

Back Orders

You will be notified when back order items have arrived, especially in the case of Engines, short blocks and MyChron Gauges. You will be given the opportunity to place and order to ship with these items to take advantage of shipping discounts (excluding the limitations for special items). Please respond to any communication regarding your intent to take items waiting for you. Items in High Demand will only be held 1 week before canceling your backorder and offering items to the next customer.

Returns

Please request permission to return any item within 14 days of invoicing. Returned items must be accompanied by a copy of the invoice and reason for return. Closeouts and Special Order Items are NOT eligible for return. **All Returns Subject to a 20% Restocking Charge.**

Shipping Methods

Orders are shipped via UPS unless otherwise specified. Cost is determined on the dimensional weight of the package. To reduce shipping charges to our dealers we also utilize USPS Priority Mail and Flat Rate as well as UPS Simple Rate. *UPS Simple Rate is Comparative in Cost to USPS Flat Rate.* If looking for cheapest shipping option, please indicate "Best Way" on your order. 2-3 Day Shipping and Overnight is available through USPS and UPS both.

Payment Terms

Available Payment Options:

Payment in Advance by Check or Credit Card. Open account forms are available upon request and a personal guarantee signature is required. Terms of open accounts are Net 10. Past due accounts will be placed on credit card. **Due to changes in UPS COD shipping requirements, COD is no longer available.**

Returned Checks:

Certified funds are required immediately to cover any returned check. A \$35 returned check fee will be added to the amount due. Any account having a returned check, (for any reason) will be placed on credit card only. If legal action is required for collection of bad debt, the customer is responsible for all legal fees.

Refused Shipment:

A \$20 service charge will be added for refused shipments.

Special Order Items:

Special order items CANNOT be returned or cancelled once the order has been placed. Prepayment is required on special orders.

Warranty: Target Distributing makes no warranties what so ever, expressed or implied, oral or written. Many products do carry limited warranty from the manufacturer and these products are subject to approval of the manufacturer before replacement or credit is issued. We will help you as much as possible to obtain replacement or credit.

Disclaimer: All products in this catalog are intended for aftermarket use only. All references to manufacturer name or part number is strictly intended for reference only and does not constitute an endorsement by the said manufacturer. Illustrations may not always be correct and are meant only as a graphic representation of the product.

Hours of Operation

(Eastern Time Zone)

Monday	8:00 am to 4:30 pm
Tuesday	8:00 am to 4:30 pm
Wednesday	8:00 am to 4:30 pm
Thursday	8:00 am to 4:30 pm
Friday	8:00 am to 3:00 pm

2025 Holiday Schedule

New Years Day	Closed Wednesday	January 1, 2025
Good Friday	Closed Friday	April 18, 2025
Memorial Day	Closed Friday Closed Monday	May 23, 2025 May 26, 2025
Independence Day	Closed Friday	July 4, 2025
Labor Day	Closed Friday Closed Monday	August 29, 2025 September 1, 2025
Thanksgiving	Closed Wednesday Closed Thursday Closed Friday	November 26, 2025 November 27, 2025 November 28, 2025
Christmas Break	Closed Starting Wednesday and will reopen Monday	December 24, 2025 January 5, 2026

Orders: 800-348-5076

Fax: 888-827-9243

Office: 574-272-0252

Index

A

- Adapters 118**
- Air Filters 116**
 - Clamps 134
- Alignment Tools 68**
- Animal**
 - Carb Choke Spring 17, 126, 128
 - Carburetor 9, 12
 - Catch Cans 16, 98
 - Engine 9, 11
 - Engine Accessory Kit 15
 - Fittings 98–99, 126
 - Flywheel Screen 126
 - Fuel Pump Riser 17, 99, 126
 - Gaskets 100
 - Head 10, 13
 - Housing & Flywheel 10, 14
 - Oil 17, 121
 - Oil Drain Plate 17
 - Rain Hood 125
 - Shortblock 9
 - Throttle Slides 10
 - Tools 16, 126
- Anti-Fog Gel 45, 51**
- Arena Clutch 27**
- Arm Restraints 65–66**
- ATV Wheels 82**
- Autolite 101**
- Axle Bearings 86**
- Axles 85**
 - Bearings 86
 - Cassettes 86
 - Keystock & Snap Rings 85

B

- Balaclava 43, 52**
- Bead Breakers 79**
- Bead Lock Kits 77**
- Bead Locks 131**
- Bearings**
 - Caster L Bracket 94, 108
 - Flanges 86
 - Hangers 86
 - Spindle/King Pin 84
 - Wheel 84
- Belts 66–67**
- Bolt Kits**
 - Bodywork & Chassis 127
 - Brakes 94, 129
 - Chain Guard 74, 129
 - Clutch 34, 134
 - Header 117, 133
 - Pitman Arm 134

- Seat 104
- Sprocket Hubs 75, 130
- Steering 109, 128
- Throttle 114, 128
- Tie Rods 107, 134
- Wheels 80, 83, 131

Box Stock/Clone Clutch 32

Brakes 87–95

- Band 92
- Bolt Kits 94, 129
- Disc & Hub 93
- Discs 93
- Enginetics 90
- Expanding 92
- Fluid & Bleeder 91
- Lines 93
- Mechanical 91
- Rotor Guard 94

Brass Fittings & Ferrules 90, 128

Briggs

- Carb Choke Spring 17, 126, 128
- Carburetor 9, 12
- Catch Cans 16, 98
- Engine 9, 11
- Engine Accessory Kit 15
- Fittings 98–99, 126
- Fuel Pump Riser 17, 99
- Gaskets 100
- Head 10, 13
- Housing & Flywheel 10, 14
- Oil 17, 121
- Oil Drain Plate 17, 125
- Rain Hood 17, 125
- Shortblock 9
- Throttle Slides 10
- Tools 16, 126

C

- Cable Clamps 110, 113, 129**
- Cable Housing 114**
- Camera 69**
- Camera Mounts 110**
- Catch Cans 16**
- Catch Tanks 98**
- Chain 71–72**
 - Guards 74
 - Lube 17, 73, 123
 - Tools 73, 76
- Cheetah Clutch 22**
- Chest Protectors 64**
- Clamps 118**
- Clone**
 - Flywheel Screen 126
- Clutches 18–33**
 - Bolt Kits 34, 134
 - Bully Style Sprockets 20, 20–21, 25, 27, 34
 - Cover 74

- Keys 33
- Linings 34
- Parts 34

Coleman 106

Comet

- Brakes 91
 - Clutches 33
 - Torque Converters 36–41
- ## Crankshaft Holding Tool 16, 125

D

- Data Logger 69–70**
- Denso 102**
- Disc-Caliper Brake 91**
- Douglas Wheels 82**
- Draggin Skin Clutch 28–30**
 - Clutch Tool 29
- Dry Moly Lubricant 34**

E

- EK Chain 72**
- Enforcer Clutch 26**
- Engine Mounts 110–113**
- Engine Oil Drain Plate 17**
- Enginetics 90**
- EVS Race Collars 63**
- Exhaust Gaskets 120**

F

- Filter Sprays 116, 124**
- Flags 135**
- Float Height Gauge 16, 125**
- Fuel**
 - Filters 97
 - Fittings 98
 - Line 97
 - Line Clamps 97, 133
 - Pumps 99
 - Tanks 96

Fun Kart Parts 82

G

- Gaskets 100–101, 120**
- Gauges 69–70**
- Gear Bag 43, 52, 56**
- Gearbox 35**
- Gear Guards 74**
- GE Series Clutch 18**
- GE Ultimate Clutch 19**
- Gloves 62**
 - Sizing Chart 57, 62

H

- Hardware 127**
- Header Pipes 117**
- Header Wrap 118, 119**
- Head & Neck Restraints 65**
- Helmets 42–56**
 - Accessories 43, 52

Bags 43, 52, 56
Replacement Shields 43, 45, 51
Shield Tear Offs 52
Sock 43, 52
Support Strap 52, 66
Youth 53-54
Helmet Supports 62-63

I

IK Clutch 32
Impact
Arm Restraints 66
Helmet Support 63
Seat Belts 66
Index Washers 102
Inner Tubes 82

J

Jackets 60-61
Jam Nuts 108, 132

K

Kart Cover 60, 135
Karting
Gloves 57, 62
Jackets 60-61
Shoes 58
Suits 59
Kart Racewear
Gloves 62
Jackets 61
Kart Cover 60, 135
Neck Braces 62-63
Kart Wheels 77-79
Kill Switch 126
Klotz 120-123
Anti-Fog Gel 45, 51
Chain Lube 17, 73
Filter Sprays 116, 124
Oil 17, 121
Quick Detailer 120
KPI Gauges 68

L

LO206
Carb Choke Spring 17, 126, 128
Carburetor 9, 12
Catch Cans 16, 98, 127
Engine 9, 11
Engine Accessory Kit 15
Fittings 98-99, 126
Fuel Pump Riser 17, 99
Gaskets 100
Head 10, 13
Housing & Flywheel 10, 14
Oil 17, 121
Oil Drain Plate 17, 125
Rain Hood 17, 125

Shortblock 9
Throttle Slides 10
Tools 16

M

Magnum Clutch 24
Max-Torque 28-32
MCP 87-90
Mini-Cup Clutch 25
Motor Mounts 110-113
Mounting Brackets 105-106
MyChron 69-70

N

Neck Braces 62-63
NORAM 18-27, 35
Number Panels 137
Numbers 137
Nuts
Jam 108, 132
Metric 132
Spindles 85, 132
Wheels 77, 131

O

Odenthal 110-111
Oil
4-Cycle Kart 17
Oil Plug Tool 16, 126
Outerwears 115

P

Padding 103
Pedals 95
Adapters 95
Clevis & Pin 94
Covers 95
Prefilters 115

R

Race
Gloves 57, 62
Jackets 60, 60-61
Shoes 58
Suits 59
Racer's Tape 136
Racing Flags 135
Rain Hood 17
Ratio Rite 120
Ribtect 64
Rib Vests 64
RLV 117-118

S

Safety
Clips 133
Wire 133
Wire Pliers 133
Seat Belts 66-67

Seats 103-104
Bolt Kits 104
Hardware 104
Padding 103-104
Struts 105

Shoes 58
Silencers 118
Silencer Sleeves 118, 119
Sniper 68
Spark Plugs 101-102
Spindles 84
Bearings 84
Nuts 85, 132
Spacers 85

Sprocket
Alignment Tool 68
Guards 74
Holders 73
Hub Bolt Kits 75, 130
Hubs 75

Sprockets 71, 76
"SS" Series Clutch 31
Star Clutch 26

Steering
Bolt Kits 109, 128
Quick Disconnect 109
Shaft Block & Lock Kit 109
Wheels 109

Stinger Clutch 20-21
Stopwatches 138
Suits 59
Swift Wheels 79

T

Tear Offs 52
Throttle
Cable 110, 113
Cable & Housing 114
Fittings 114-115, 128
Kits 114, 128
Return Spring 128
Rod & Anchor Bracket 94
Tie Rods 107-108
Tillotson 100
Tire Carrier 79
Tire Gauges 81
Tires 82
Tire Tools 80
Titan Mini-Cup Clutch 25
Titan World Formula Clutch 23
Torque Converters 36-41
Tri-Flow 73, 86, 120

V

V2 Gauge Set 68
Valve Spring Tool 16, 125
Valve Stems 83

W

Wheels 77-79

- ATV 82
- Bead Lock Kits 77, 131
- Bearings 84
- Bolt Kits 80, 83, 131
- Fun Kart 82
- Hubs 83
- Nuts 77, 131
- Weights 78

World Formula Clutch 23

Y

Yamaha 101, 113, 118

Z

Zamp

- Arm Restraints 65
- Dirt Jackets 60
- Gloves 57
- Head & Neck Restraints 65
- Helmets 42-56
- Helmet Shields 43, 45, 51
- Race Collars 63
- Seat Belts 67
- Shoes 58
- Suits 59

Numbers

1600 Series Clutch 25



L0206 Engines & Parts

Engine & Shortblock

Part No.	Description
BS201	L0206 Engine
BS555715	Sealed Shortblock

Engine Parts

Part No.	Description
BS299819S	Oil Seal
BS555680	Cylinder Shield (Black)
BS555699	Control Panel
BS555718	206 Ignition (6,100 RPM)
BS555723	Cylinder Head Gasket (L0206)
BS555725	Junior PVL Ignition (4,100 RPM)
BS555726	Carburetor Locking Cap
BS555729	Briggs "Green" Air Filter w/Clamp
BS557028	Starting Switch
BS691663	Oil Drain Plug - Magnetic
BS691663A	Old Drain Plug - Magnetic, Aftermarket
BS691686	Oil Drain Plug
BS691885	Intake Gasket
BS691890	Rocker Cover Gasket
BS692550	Oil Seal
BS692602	Stop Wire (Used on 8001 & 8002)
BS694088	Cylinder Head Gasket Plate
BS699479	Metric Screw - Control Panel
BS793379	Stop Wire (type 8003)
BS794822	M4 x 11.1 Screw for Cylinder Shield
BS281658S	Oil Fill Cap

Carburetor Assembly Parts

Part No.	Description
BS555658	Carburetor Assembly
BS555605	Carburetor Overhaul Kit
BS555545	Carburetor Spacer
BS555585	Idle Mixture Kit
BS555586	Idle Speed Kit
BS555590	Throttle Valve (Senior Slide)
BS555591	Carburetor Float
BS555592	Float Bowl Gasket
BS555593	Emulsion Tube
BS555594	Pilot Jet
BS555595	Throttle Cable Cap Gasket
BS555596	Throttle Return Spring
BS555601	O-Ring Seal
BS555602	Needle Jet (BGB Gasoline)
BS555603	Throttle Cable Cap
BS555610	O-Ring Seal
BS555644	Metric Screw
BS555646	Hex Flange Metric Screw/Nut
BS555647	Throttle Cable Boot
BS555648	Needle Float Valve
BS555650	Needle Valve Retainer
BS555650CLIP	Needle Valve Retainer Clip
BS555653	Float Bowl
BS555659	Carburetor Bowl Drain
BS692600	Breather Tube
BS555726	Carburetor Locking Cap
BS555728	Junior 206 Throttle Slide .285 Black
BS555729	Briggs "Green" Air Filter w/Clamp
BS555742	Main Jet Stock (2 per pack)
BS597338	Mikuni Fuel Pump (replaces 808656)
BS4271	Mikuni Fuel Pump, 5 pack
BS691885	Intake Gasket



RACING ENGINES

Head Assembly Parts

Part No.	Description
AR3910X	Spark Plug - Autolite
BS555635	Cylinder Head Assembly
BS26826	Valve Spring
BS555550	Valve Retainer
BS555551	Intake Valve
BS555552	Exhaust Valve
BS555636	Valve Gasket Set
BS555645	Valve Guide Bushing (.002" over)
BS555679	Rocker Cover (Black)
BS555690	Heat Disperser (L0206)
BS555723	Cylinder Head gasket (L0206)
BS557118	Valve Guide Bushing (Standard)
BS691343	Push Rod Guide
BS691890	Rocker Cover Gasket
BS692557	Hex Washer Head Screw
BS693517	Push Rod
BS694088	Cylinder Head Gasket Plate
BS699230	Hex Washer Head Metric Screw (Cylinder Head Plate)
BS699481	Hex Washer Head Metric Screw (Rocker Cover Bottom)
BS699482	Hex Washer Head Metric Screw (Cylinder Head)
BS797440	Metric Rocker Arm Adjuster Kit
BS797441	Metric Rocker Arm Stud
BS797442	Metric Cylinder Head Plate
BS797443	Rocker Arm - Metric

Flywheel Tools

Part No.	Description
BS19433	Flywheel Wrench
BS19584	Flywheel Puller

Housing & Flywheel Parts

Part No.	Description
BS555683	Flywheel
BS555702	Flywheel Guard
BS222698S	Flywheel Key
BS555704	Blower Housing
BS555718	Ignition Module (6,100 RPM)
BS555778	Flywheel Fan
BS591302	Flywheel Cup
BS691678	Hex Washer Head Screw
BS691736	Flywheel Washer
BS695287	Rewind Starter
BS695630	Stop Wire
BS699200	Hex Screw Cylinder Insert
BS699201	Flywheel Fan Screw
BS699477	Metric Screw
BS794451	Hex Washer Head Metric Screw

Throttle Slides

Part No.	Description
BS555590	Black, Stock Slide (Senior)
BS555728	.285 Black, Jr. Throttle Slide
BS555732	.310 Black Jr. Throttle Slide
BS555733	.440 Red Throttle Slide
BS555734	.520 Blue Throttle Slide
BS555735	.342 Purple Throttle Slide
BS555740	.490 Green Throttle Slide
BS555741	.570 Yellow Throttle Slide



RACING ENGINES

L0206 Engine

699479 Metric Screw
(Control Panel - M6 x 1)

555699 Control Panel



- 555728 - Junior 206 Throttle slide - .285" 'Black'
- 555732 - Junior 206 Throttle slide - .310" 'Black'
- 555733 - Club Throttle slide - .440" 'Red'
- 555734 - Club Throttle slide - .520" 'Blue'
- 555735 - CA Novice Throttle slide - .342" 'Purple'
- 555740 - CA Junior Club Throttle slide - .490" 'Green'
- 555741 - CA Junior National Throttle slide .570" 'Yellow'



557028 Starting Switch

793379 Stop Wire
(Used on Type No. 8003)

692602 Stop Wire
(Recker Switch, Used on Type No. 9001 & 8002)



BS201 - 206 Engine

299819s Oil Seal
(Magnete Side)

692550 Oil Seal
(PTO Side)

691885 Intake Gasket

694088 Cylinder Head Plate Gasket



555723 Cylinder Head Gasket

691890 Rocker Cover Gasket

555715 - Sealed Shortblock

555726 - Carburetor Locking Cap

555680 Cylinder Shield (Black)

555718 - 206 Ignition Module, 6,100 rpm limiter

794822 Screw (Cylinder Shield - M4 x 11.1)

555728 - .285" Junior Throttle Slide

555732 - .310" Junior Throttle Slide

555729 Green Air Filter

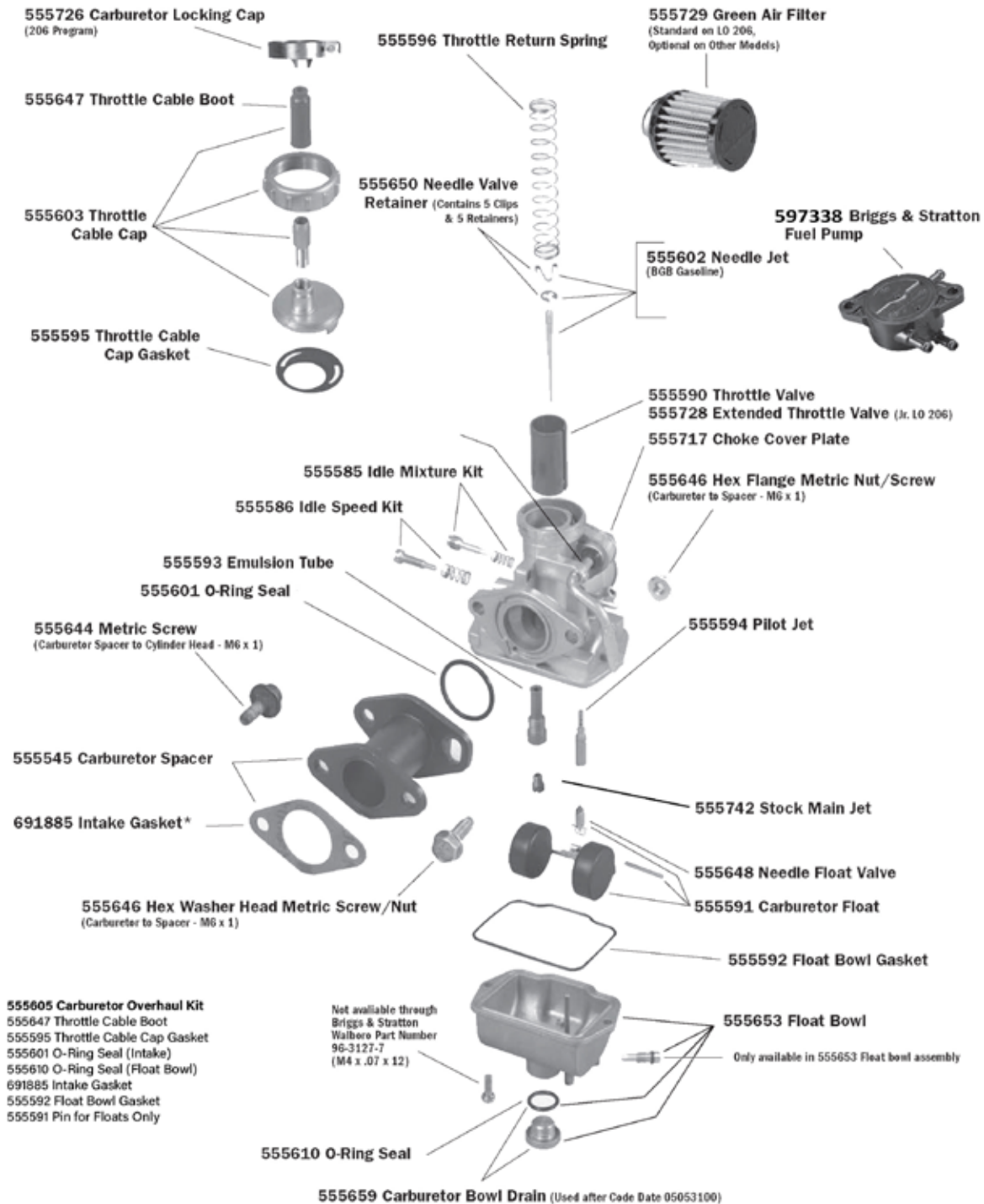
555725 - Junior PVL Ignition Module, 4,100 rpm limiter

691686 Oil Drain Plug*
691663 Oil Drain Plug (Metric, Optional)



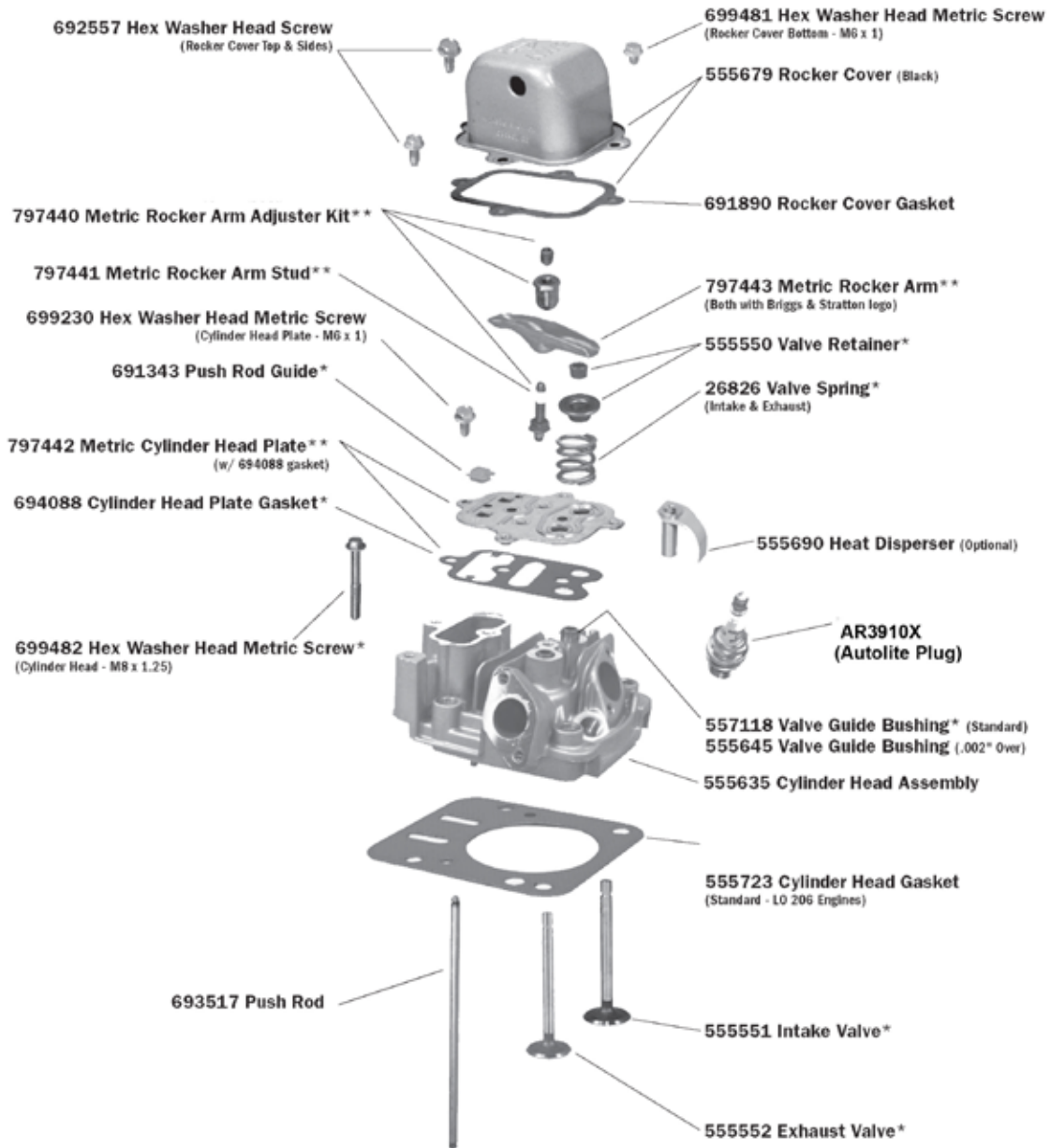
Carburetor Assembly

RACING ENGINES



555658 Carburetor Assembly Does Not Contain 555545 Spacer, 691885 Gasket, or Mounting Screws.

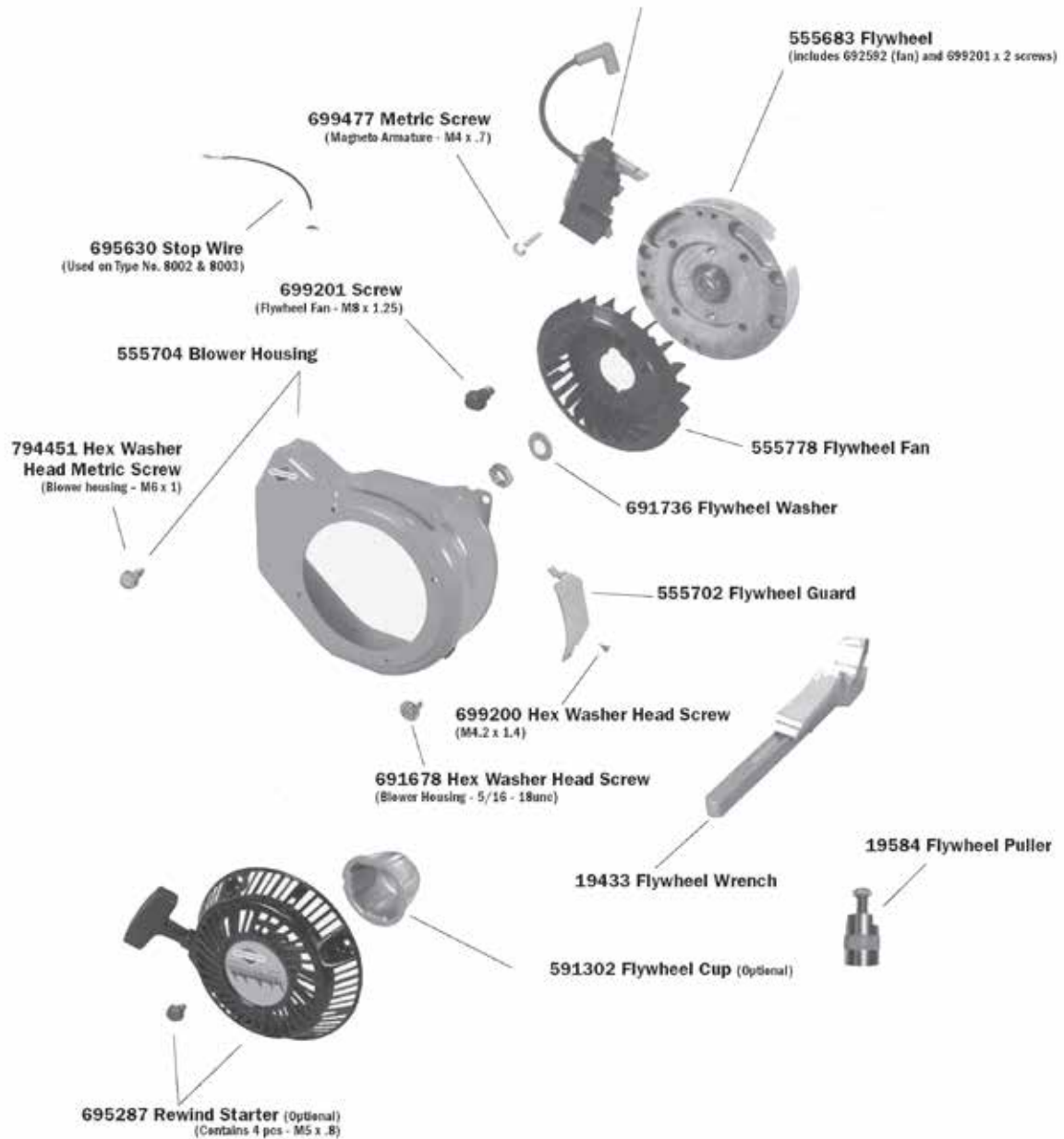
Head Assembly



555635 Cylinder Head Assembly

Housing & Flywheel

555718 206 Ignition Module (206 - 6,100 rpm)



L0206 Engine Accessory Kit



PL27551



BS555729



CK1011B



GPG1227



KM865



LA792KIT



PP801



RLV4104



KF16019



KM609



KM618



KM619



RLV5507



VK002



VK147



PP880



RLV4147

Part No.	Description
BS201KIT	L0206 Accessory Kit

The L0206 Engine Accessory Kit has everything down to the safety wire that you need to bolt your Briggs L0206 Engine on the mount and chassis of your choice and hit the track.

Contents of Kit Include:

- B206C - Copper Exhaust Gasket
- BS555729 - "Green" Air Filter with Clamp
- CK1011B - Strut Mount Oil Catch Tank, Black
- GPG1227 - Chain Cover
- KF16019 - Fuel Pump Riser with Hardware
- KM609 - Throttle Kit (No Plate)
- KM618 - Breather with Bushing
- KM619 - Pulse Plug
- KM865 - Nylon Brake & Throttle Line, 6 ft.
- LA792KIT - 7/8" x 18" Braided Header Wrap Sleeve
- PP801 - Flat Cable Clamp
- RLV4104 - RLV Exhaust Silencer 1 5/8"
- RLV5507 - RLV206 Jr. Spec Pipe
- VK002 - Metric Header Bolt Kit
- VK147 - SAE Chain Guard Bolt Kit
- PP880 - 1.2 mm Throttle Cable with Barrel End
- RLV4147 - Silencer Hose Clamp

L0206 Accessories

Animal Valve Spring Tool



Easily install/remove valve springs and retainers, even without taking the head off. Screws directly on to studs.

Part No.	Description
KM600	Animal Spring Tool

PKT Float Height Gauge



Set float height gauges more precisely and independently from side to side with this precision machined aluminum piece from PKT.

Part No.	Description
PKT206FG	206 Float Height Gauge

Oil Plug Tool



Long reach oil plug tool for easy on and off of the L0206 stock engine oil plug.

Part No.	Description
PP105	Oil Plug Tool

Crankshaft Holding Tool



The Crankshaft Holding Tool is designed to assist with performing a leak down test on your L0206 Engine. Tests can be completed in top dead center, bottom dead center, and 7 other positions in between.

Part No.	Description
KM601	Animal Crankshaft Holding Tool

Catch Cans

Dual Vented



KFDCC **KFDCCO**

2 Vented Catch Cans
1 Easy Mounting Location

Part No.	Description
KFDCC	Dual Vented, Black Top
KMDCCO	Dual Vented, Orange Top

Single Vented



KF22100 **KF22150**

Single Vented Catch Can with mount and threaded fitting for overflow line. Available in a flat mount or 90° angle.

Part No.	Description
KF22100	Flat Mount Catch Tank
KF22150	90° Mount Catch Tank

Strut Mount



CK1011 **CK1011B**

Part No.	Description
CK1011	Strut Mount Ca, Plain
CK1011B	Strut Mount Can, Black

Engine Oil Drain Plate



NSKL33

Made of a lightweight metal mounts, between the engine and engine mount. The angled funnel style end allows oil to flow from the drain right to your oil waste tank. Keeping the mess from both your kart and the ground.

Part No.	Description
NSKL33	Engine Oil Drain Plate

Rain Hood



KF23100

Canister installs and uninstalls without any modification to the air filter. Protect the engine in wet conditions.

Part No.	Description
KF23100	Air Filter Rain Hood

Carb Choke Spring



Part No.	Description
KM602	Carb Choke Spring

Fuel Pump Riser



Part No.	Description
KF16019	Fuel Pump Riser

4-Cycle Kart Oil



Part No.	Description
KE216	Kart 4-Cycle 0W/16 - 1 Quart
KE220	Kart 4-Cycle 0W/20 - 1 Quart
KE230	Kart 4-Cycle 0W/30 - 1 Quart
KE240	Kart 4-Cycle 0W/40 - 1 Quart

Chain Lube



Part No.	Description
KL605	Hi-Perf. Chain Lube, 15.5 oz Aerosol
KL611	KLR Chain Lube, 16 oz Aerosol

GE Series Clutch

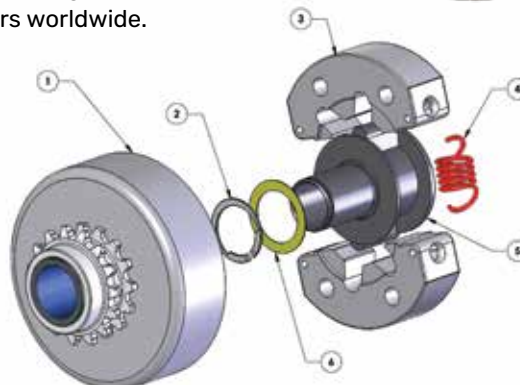
*4-Cycle Clutch with 3/4" Bore
Run Inboard or Outboard*



The NORAM GE Series Clutch is a standard in 4-Cycle Racing. Its strong reputation is supported by over 40 years of production and satisfied customers worldwide.

Features:

- Stamped Drum Providing Stable and Consistent Run Out
- Long Lasting Heat Treated Shoes
- Variety of Settings to Fine Tune to Track Layouts
- Flexibility of Engagement with Variety of Springs
- Economical Maintenance



#35 Complete Clutches

Part No.	Description
NARC60*	11T with Bushing
NARC61*	12T with Bushing
NARC64*	13T with Bearing
NARC66*	14T with Bearing
NARC68*	15T with Bearing
NARC70*	16T with Bearing
NARC72*	17T with Bearing
NARC74*	18T with Bearing

*For Heavy Shoes add **H**

#219 Clutch & Drum

Part No.	Description
NAGE21920	20T with Bearing
#219 Replacement Drum	
NA219D20 ¹	20T with Bearing

¹Comes w/ White Springs, Heavy Shoes

#35 Replacement Drums

Part No.	Description
NA11211	11T with Bushing
NA04112B	12T with Bushing
NA11713N	13T with Bearing
NA16514N	14T with Bearing
NA13215N	15T with Bearing
NA13416N	16T with Bearing
NA14917N	17T with Bearing
NA24618N	18T with Bearing

For Shoe Settings See GE Ultimate

Clutch Springs & Engagement

Part No.	Color	Heavy	Light
NA013	Brown	1620	1800
NA017	Black	1820	2100
NA020	Red	1950	2450
NA030	White	2420	2740
NA040	Blue	2530	2960
NA050	Purple	2575	3010
NA060	Green	2975	3440
NA079	Orange	3100	3660
NA086	Brown	3380	4020
NA088	Red	3530	4320

Comes w/Red Springs Standard

Clutch Parts

No.	Part No.	Description
2	NA04	Snap Ring
3	NA158	Light Shoe
3	NA159	Heavy Shoe
5	NA138	Hub (11T)
5	NA046	Hub (12T-20T)
6	NA045	Steel Washer (11T)
6	NAW065	Fiber Washer (11T)
6	NA0066	Fiber Washer
	NA015	Bearing (13T & Up)
	NA036	Bushing (11T & Up)
	NA081	Bushing (12T)
	AP144	Clutch Bolt Kit

GE Ultimate Clutch

4-Cycle Clutch with 3/4" Bore Run Inboard or Outboard

The NORAM GE Ultimate Racing Clutch, an undisputed karting industry legend for over 40 years, is designed to seamlessly mesh with the skill level of the driver and track conditions.



Features:

- Stamped Drum with Venting Holes for Max Airflow, and Cooling
- Alternate Shoe Configurations Easily Conform to Unique Driving Skills
- Variable Torque Settings Dramatically Decrease Slippage
- Replaceable Sprockets - Eliminate Frequent Drum Replacement
- Thrust Bearings for an Exceptionally Smooth Performance
- High Tech Linings Provide Maximum Coefficient of Friction

Complete Clutches

Part No.	Description
NAU*35	#35 Clutch (12T-20T)
NAU*219	#219 Clutch (16T-22T)
*specify tooth size when ordering	
Only Available with Light Shoes	

Accepts BSJ Sprockets

Replacement Sprockets

Part No.	Description
APBSJ*	#35 Sprocket (12T-20T)
APBSJ219*	#219 Sprocket (16T-22T)
*specify tooth size when ordering	

Clutch Springs & Engagement

Part No.	Color	Heavy	Light
NA013	Brown	1600	1800
NA017	Black	1800	2100
NA020	Red	1900	2220
NA030	White	2300	2700
NA040	Blue	2500	2900
NA050	Purple	2600	3000
NA060	Green	3000	3400
NA079	Orange	3100	3600
NA086	Brown	3400	3900
NA088	Red	3700	4300
Comes w/Green Springs Standard			

Clutch Parts

Part No.	Description
NA04	Snap Ring
NAC137	Thrust Bearing
NAU061	Clutch Hub
NAU215	Washer
NAU229	Light Clutch Shoe
NAU230	Heavy Clutch Shoe
NAU433	Sprocket Snap Ring
NAU698	Clutch Drum
AP144	Clutch Bolt Kit

SHOE SETTINGS
NOTE: Clutch illustrations shown as viewing the open end of an INBOARD mounting. For shoe settings on an OUTBOARD mounting, use the reverse shoe position.



SETTING #1 HEAVY AND LIGHT SHOE
For rapid engagement and low inertia starts.



SETTING #3 LIGHT SHOE ONLY
For moderate engagement and average inertia starts.



SETTING #5 HEAVY AND LIGHT SHOE
For very smooth, gradual engagement, and high inertia starts.



SETTING #2 HEAVY SHOE ONLY
For moderate to rapid engagement and average to low inertia starts.



SETTING #4 HEAVY SHOE ONLY
For smooth, gradual engagement and high inertia starts.



Stinger Clutch

*4-Cycle Clutch with 3/4" Bore
Run Inboard or Outboard*



The NORAM Stinger Clutch is a powerful 3 shoe racing clutch featuring a 1 piece drum with interchangeable sprockets. It also utilizes Noram's exclusive Shoe/Spring/Hub cartridge.



Stamped Drum

Complete Clutch w/Stamped Drum

Accepts BSJ Sprockets

Part No.	Description
APSC*SS	#35 Chain Clutch (12T-20T)
APSC219*SS	#219 Chain Clutch (16T-22T)
APSC1041SS	#40/41 Chain Clutch 10T
APSC1141SS	#40/41 Chain Clutch 11T
*specify tooth size when ordering	

Replacement Drums

Part No.	Description
APSD	Billet Drum
APSDS	Stamped Drum



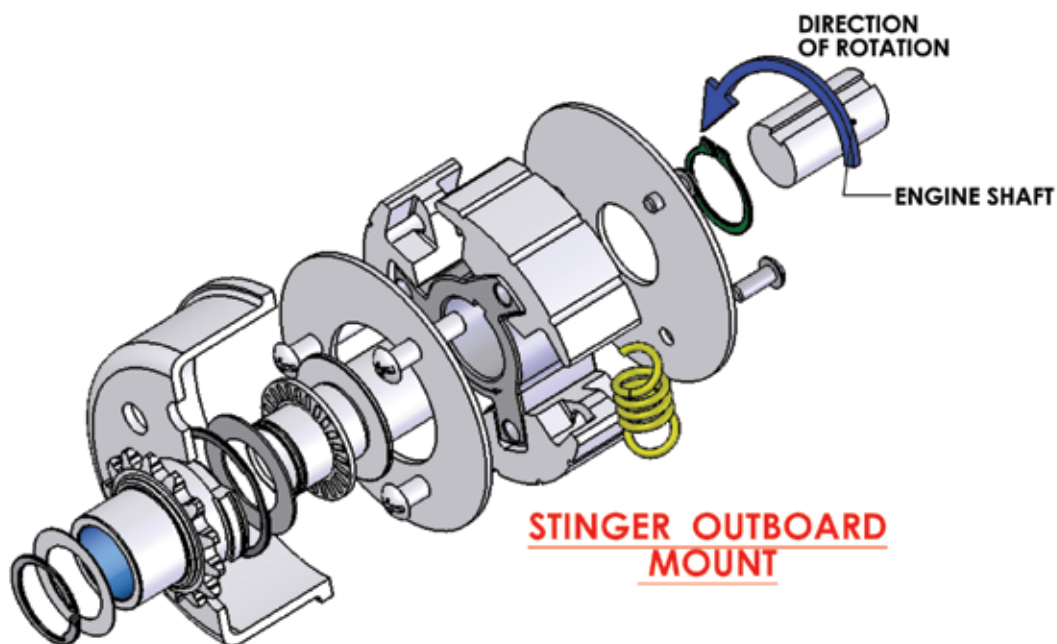
Billet Drum

Complete Clutch w/Billet Drum

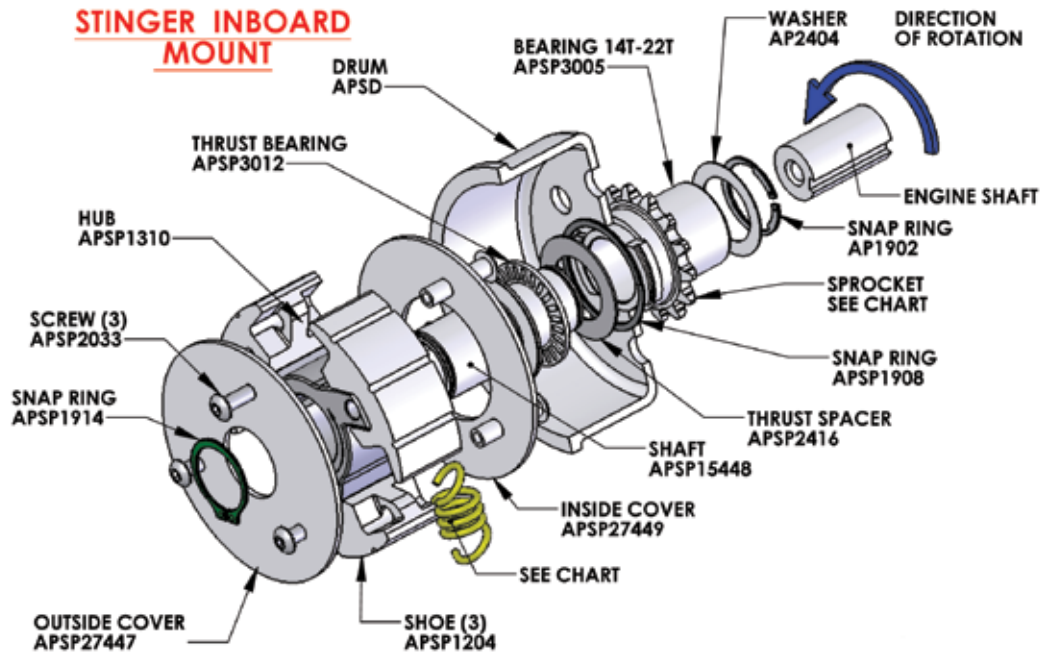
Part No.	Description
APSC*	#35 Chain (12T-20T)
APSC219*	#219 Chain Clutch (16T-22T)
APSC1041	#40/41 Chain Clutch (10T)
APSC1141	#40/41 Chain Clutch (11T)
*specify tooth size when ordering	

Replacement Sprockets

Part No.	Description
APBSJ*	#35 Sprocket (12T-20T)
APBSJ219*	#219 Sprocket (16T-22T)
APBSJ1041	#40/41 10T Sprocket
APBSJ1141	#40/41 11T Sprocket
*specify tooth size when ordering	



Stinger Clutch



KEY:APSP011

Clutch Parts

Part No.	Description
APSP1204	Clutch Shoe
APSP1310	Clutch Hub
APSP15448	Clutch Hub Shaft
AP1902	Snap Ring (Drum)
APSP1908	Spiral Snap Ring (Sprocket)
APSP1914	Snap Ring (Cartridge)
APSP2033	Cover Bolt
AP2404	Spacer (Outside)
APSP2416	Thrust Spacer
APSP27447	Outside Cover
APSP27449	Inside Cover
APSP3005	Bearings (14T-22T)
APSP3012	Thrust Bearing
APSP011	Clutch Key
AP2425	Crank Spacer Washer
VK003	Mounting Bolt & Washer
AP238	Crank Stepped End Washer
AP219	Sprocket Shim
AP2468	Fiber Washer - Hub Shaft/Hub
AP2066	Fiber Washer - Outer
AP144	Clutch Bolt Kit



Standard Cartridge

Cartridge Kits

Part No.	Description
APSC004	Blue Cartridge
APSC006	Orange Cartridge
APSC008	Black Cartridge
APSC010	Yellow Cartridge
APSC012	Purple Cartridge
APSC014	White Cartridge
APSC016	Green Cartridge

Clutch Springs & Engagement

Part No.	Color	RPM
APSS047	Dk. Green	2100
APSS048	Brown	2300
APSS51	Blue	2700-2900
APSS52	Orange	3000-3200
APSS53	Black	3300-3500
APSS54	Yellow	3700-3900
APSS55	Purple	4100-4300
APSS56	White	4500-4700
APSS57	Green	5000-5200
Comes w/Orange Springs Standard		

Cheetah Clutch

4-Cycle Disc Clutch with 3/4" Bore

Run Inboard or Outboard

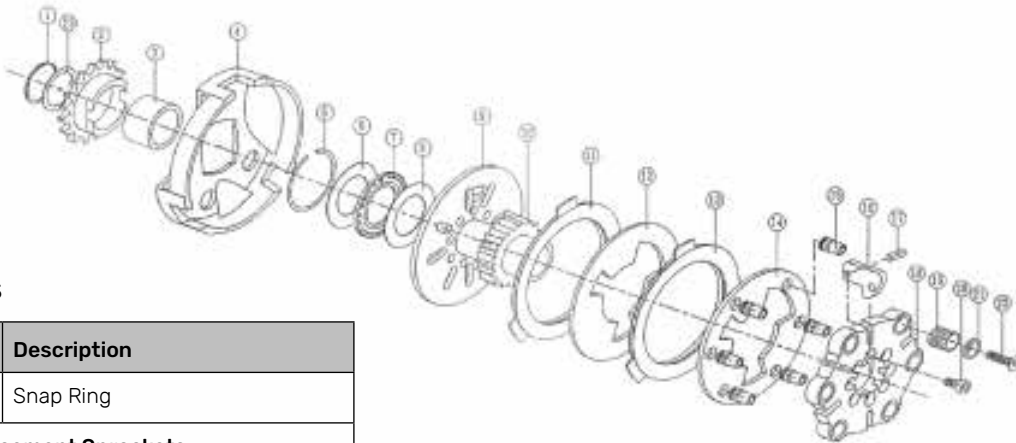


Engineered to make you the fastest person on the track, The Noram Cheetah Clutch is designed to put less weight on the crankshaft, less spring binding and better lock-up, as well as cooler and longer running.

Features:

- Removable Sprocket Saves You Time and Money
- Precision Machined Pressure Plate Gives More Consistent Engagement
- Copper Discs with Superior Linings Provide Excellent Engagement & Lock-Up
- Easy to Adjust Engagement Springs

Accepts BSJ Sprockets



Clutch Parts

No.	Part No.	Description
1	NAC435	Snap Ring
2	See Replacement Sprockets	
3	NAC136	Needle Bearing (14T & Up)
4	NAC695	Drum Housing
5	NAC436	Sprocket Retaining Ring
6	NAC214	Thrust Washer
7	NAC137	Thrust Bearing
9-10	NAC786	Support Plate with Gear
11/13	NAC249	Fritction Disc
12	NAC250	Floater Disc
14-15	NAC012	Pressure Plate Assembly
16	NAC253	Lever (6 required)
17	NAC157	Dowel Pin (6 required)
18	NAC254	Lever Support
19	NAC228	Spring (6 required)
20	NAC042	Sprocket Head Cap Screw (6 req.)
21	NAC437	Retainer (6 required)
22	NAC043	Adjusting Screw (6 required)
23	NAC215	Outer Thrust Washer

Complete Clutch

Part No.	Description
NAC1315	#35 Chain with 15T Only

Replacement Sprockets

Part No.	Description
APBSJ*	#35 Sprocket (12T-20T)
APBSJ219*	#219 Sprocket (16T-22T)
*specify tooth size when ordering	

Titan World Formula

4-Cycle Clutch with 3/4" Bore Run Inboard or Outboard



The NORAM Titan World Formula clutch is a computer designed clutch is the ultimate centrifugal clutch for 10 to 15 HP Briggs Animal and World Formula Engines.

Features:

- Interchangeable Sprockets on a Machined Drum
- The Ultimate in Strength and Alignment
- Unique Hub and Shoe Design for Max Power Transmission
- Shoe/Spring/Hub Cartridge for Quick and Easy Set-Up Changes



Accepts BSJ Sprockets

Complete Clutch

Part No.	Description
APTC*34	#35 Clutch (12T-20T)
APTC219*34	#219 Clutch (16T-22T)
APTC104134	#40/41 Clutch with 10T
APTC114134	#40/41 Clutch with 11T
*specify tooth size when ordering	

Replacement Sprockets

Part No.	Description
APBSJ*	#35 Sprocket (12T-20T)
APBSJ219*	#219 Sprocket (16T-22T)
APBSJ1041	#40/41 10T Sprocket
APBSJ1141	#40/41 11T Sprocket
*specify tooth size when ordering	

Springs & Engagement

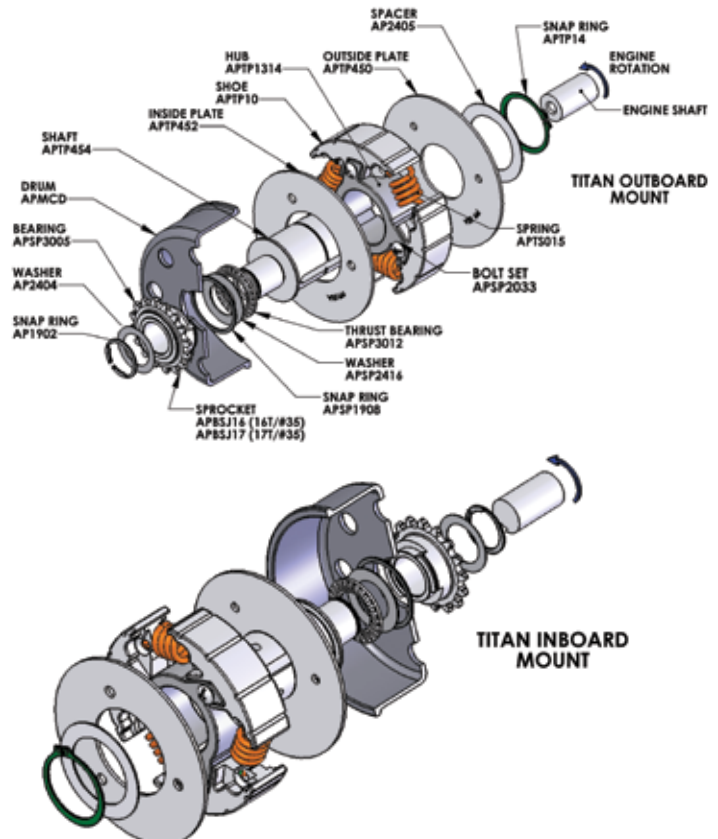
Part No.	Color	RPM
APTS104	Light Red	1800
APTS105	Light White	2100
APTS106	Light Blue	2400
APTS011	Blue	3100
APTS012	Green	3600
APTS013	Red	3800
APTS014	Yellow	4000
APTS015	Orange	4200
Comes w/Orange Springs Standard		

Clutch Parts

Part No.	Description
APTP1314	Clutch Hub
APSP3005	Bearing (14T-22T)
AP1902	Snap Ring
APTC012	Clutch Key
APSP2416	Thrust Spacer
APSP3012	Thrust Bearing
APTP454	Hub Shaft
APTP10	Clutch Shoe
APSP2033	Clutch Dust Cover Bolt
APTP450	Clutch Outside Dust Plate
APTP452	Clutch Inside Dust Plate
APTP14	Clutch Assembly Snap Ring
APMCD	Clutch Drum
APSP1908	Spiral Snap Ring-Sprocket
AP2404	End Play Washer
AP2405	Cartridge Spacer Washer (Back)
AP2425	Crank Spacer Washer
APTP34	Mounting Bolt & Washer
AP238	Crank Stepped End Washer
AP219	Sprocket Shim
AP2468	Fiber Washer-Hub/Hub Shaft
AP2066	Fiber Washer - Outer
AP144	Clutch Bolt Kit

Spring Cartridges

Part No.	Description
APMCC60	Yellow
APMCC61	Orange

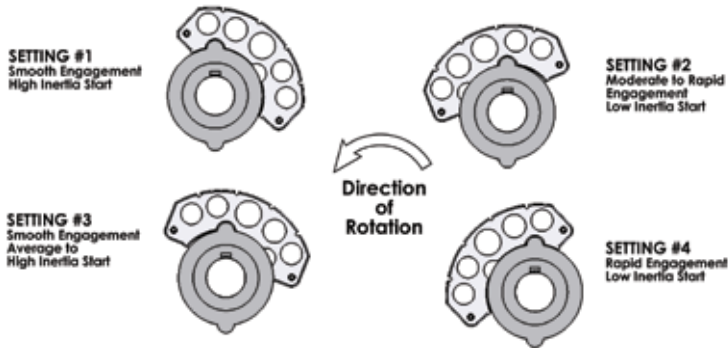


Magnum Clutch

*4-Cycle with 3/4" Bore
Run Inboard or Outboard*



Complete Clutches No Longer Available
Use GE Clutch Replacement Drums



#35 Replacement Drums

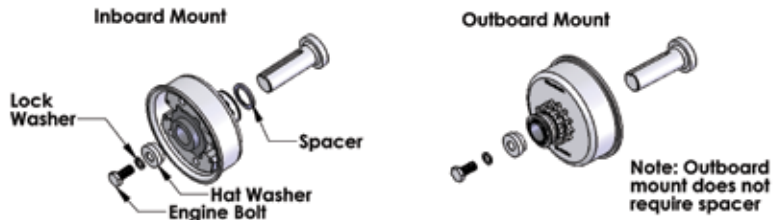
Part No.	Description
NA11211	11T with Bushing
NA04112B	12T with Bushing
NA11713N	13T with Bearing
NA16514N	14T with Bearing
NA13215N	15T with Bearing
NA13416N	16T with Bearing
NA14917N	17T with Bearing
NA24618N	18T with Bearing

Clutch Springs & Engagement

Part No.	Color	Heavy	Light
NA020	Red	1900	2220
NA030	White	2300	2700
NA040	Blue	2500	2900
NA050	Purple	2600	3000
NA060	Green	3000	3400
NA079	Orange	3100	3600
NA086	Brown	3400	3900
NA088	Red	3700	4300

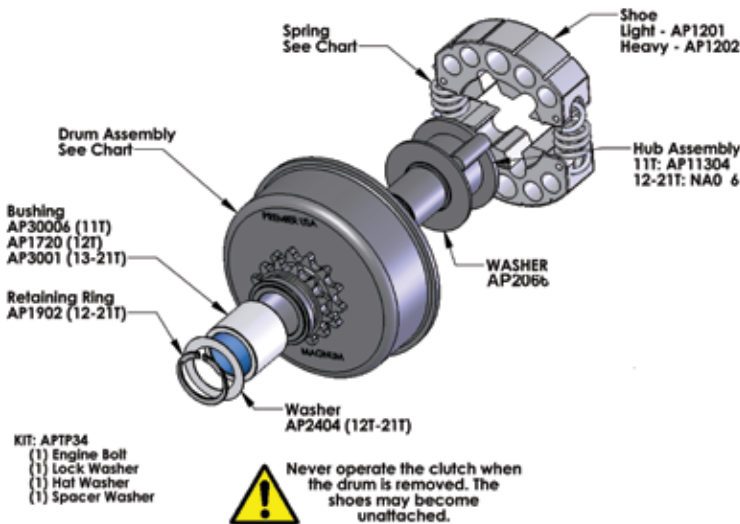
use GE Clutch Springs as Listed Above

INSTALLATION CONFIGURATION



Clutch Parts

Part No.	Description
AP1201	Light Shoe
AP1202	Heavy Shoe
AP1720	Bushing, 12T
AP3001	Needle Bearing, 13T & Up
AP30006	Bushing, 11T
AP1902	Retaining Ring for Drum
AP11304	Hub Assembly, 11T
NA046	Hub Assembly, 12T & Up
AP2403	Steel Washer, 11T
AP2404	Steel Washer, 12T & Up
VK003	Mounting Bolt & Washer
AP2425	Crank Spacer Washer
AP238	Crank Stepped End Washer
AP2066	Fiber Washer
AP144	Clutch Bolt Kit



Titan Mini-Cup

4-Cycle Clutch with 1" Bore

Run Outboard Only



The NORAM Titan Mini-Cup clutch is a computer designed centrifugal clutch is the ultimate for Mini Cup Cars.

Features:

- Interchangeable Sprockets
- Machined Drum
- Unique Hub\Shoe Design for Max Power Transmission



Accepts BSJ Sprockets

Complete Clutch

Part No.	Description
APMC*	#35 Clutch (12T-20T)
APMC1141	#40/41 Clutch, 11T
APMC1041	#40/41 Clutch, 10T

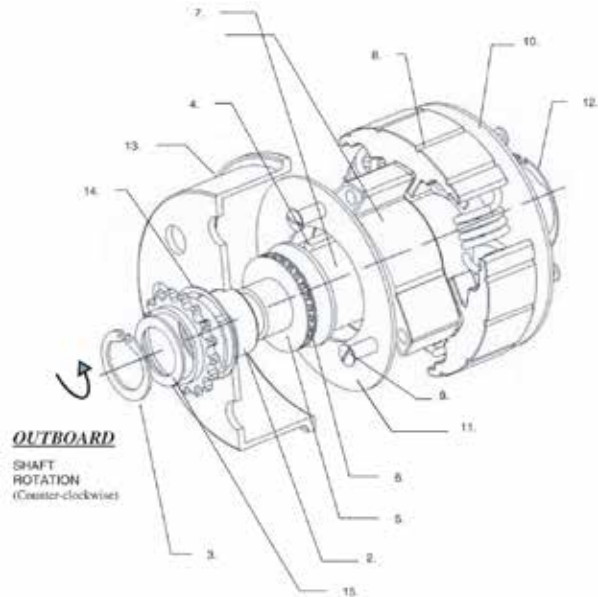
Replacement Sprockets

Part No.	Description
APBSJ*	#35 Sprocket (12T-20T)
APBSJ1041	#40/41 10T Sprocket
APBSJ1141	#40/41 11T Sprocket

*specify tooth size when ordering

Clutch Parts

No.	Part No.	Description
1	APMC012	Clutch Hub
2	APSP3005	Bearing (14T-22T)
3	AP1902	Snap Ring
4	APMC2010	Clutch Key
5	APSP2416	Thrust Spacer
6	APSP3012	Thrust Bearing
7	APMC450	Hub Shaft
8	APTP10	Clutch Shoe
9	APSP2033	Clutch Dust Cover Bolt
10	APTP450	Clutch Outside Dust Cover
11	APTP452	Clutch Inside Dust Cover
12	APTP14	Clutch Assembly Snap Ring
13	APMCD	Clutch Drum
14	APSP1908	Spiral Snap Ring-Sprocket
15	AP2404	End Play Washer
	AP2405	Cartridge Spacer Washer (back)
	AP2425	Crank Spacer Washer
	APTP34	Mounting Bolt & Washerssss
	AP219	Sprocket Shim
	AP144	Clutch Bolt Kit



Springs & Engagement

Part No.	Color	RPM
APTS104	Light Red	1800
APTS105	Light White	2100
APTS106	Light Blue	2400
APTS011	Blue	3100
APTS012	Green	3600
APTS013	Red	3800
APTS014	Yellow	4000
APTS015	Orange	4200

comes w/green springs standard

1600 Series Clutch

4-Cycle Clutch with 1" Bore

Run Inboard or Outboard



The Noram 1600 Series Clutch is designed for more horsepower engines and eliminates the need for oversizing electric motors to reach starting torque requirements.

Features:

- No Load Starting
- Overload Protection
- Speed Control Design
- 360° Shoe Contact Surface

Clutch Parts

Part No.	Description
NA3000122	Needle Bearing - 160153
NAC096	Clutch Shoe
NA2400050	Inner Washer (14T-17T)
NA2400120	Outer Washer (14T-17T)

Complete Clutches

Part No.	Description
#35 Chain	
NA160157	17T Clutch (In or Outboard)
NA1160739	17T Drum Only
#40/41 Chain	
NA160153	10T Clutch (Outboard Only)
NA160155	14T Clutch (In or Outboard)
NA11600743	10T Drum Only
NA11600738	14T Drum Only

Springs & Engagement

Part No.	Color	RPM
NA104	Red	1450
NA105	White	1650
NA106	Blue	1800
NA107	Purple	2050
NA108	Green	2150
NA110	Plain	2400
comes w/purple springs standard		



Star Clutch

4-Cylce Clutch with 1" CounterBore

Run Inboard or Outboard

Complete Clutch & Drums

Part No.	Description
NASTAR*	Complete Clutch (13T-18T)
NASD*	Clutch Drum (13T-18T)
*specify tooth size when ordering	

Springs & Engagement

Part No.	Color	RPM
NA104	Red	2500
NA105	White	2800
NA106	Blue	3100
NA107	Purple	3400
NA108	Green	3700
NA110	Plain	4000
comes w/red springs standard		

Clutch Parts

Part No.	Description
NAB018	Bushing (13T-14T)
NAC079	Clutch Shoes
NAN046	Bearing (15T & Up)
NAW052	Washer
NAKY025	Clutch Key
AP144	Clutch Bolt Kit

Enforcer Clutch

4-Cylce Clutch with 1" Bore

Run Outboard Only



Springs & Engagement

Part No.	Color	RPM
NA104	Red	1450
NA105	White	1650
NA106	Blue	1800
NA107	Purple	2050
NA108	Green	2150
NA110	Plain	2400
comes w/purple springs standard		

Complete Clutch & Drum

Part No.	Description
NA180153	#40/41 Clutch w/10T
NAD14010	#40/41, 10T Only
*specify tooth size when ordering	

Clutch Parts

Part No.	Description
NA190073	Snap Ring
NA240104	Steel Washer
NA300122	Needle Bearing
NA150264	Shaft
NAS142	Clutch Shoe
NAR180	Rotor Assembly

Mini-Cup Clutch Parts

Complete Clutches and Replacement Drums Discontinued

Springs & Engagement

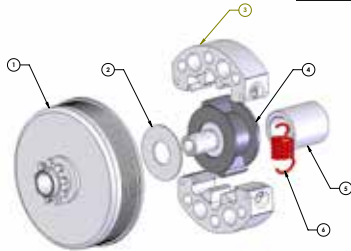
Part No.	Color	RPM
NA104	Red	1450
NA105	White	1650
NA106	Blue	1800
NA107	Purple	2050
NA108	Green	2150
NA110	Plain	2400
comes w/red springs standard		

Clutch Parts

Part No.	Description
NA04	Snap Ring
NA015	Needle Bearing for 13T & Up
NA081	Bushing for 12T
NA0066	Fiber Washer
NAH795	Clutch Hub Only
NAC039	Clutch Shoes

Arena Clutch Parts

Complete Clutches, Replacement Drums and Clutch Hubs Are Discontinued. Available Parts Listed Below



Clutch Parts

No.	Part No.	Description
	NA018	Needle Bearing, 10T
	NAB009	Bushing, 9T
2	NAW063	Fiber Washer
3	NA158	Light Shoe
3	NA159	Heavy Shoe
5	NASP01	Spacer

Clutch Springs & Engagement

Part No.	Color	Heavy	Light
NA013	Brown	1620	1800
NA017	Black	1900	2100
NA020	Red	2040	2500
NA030	White	2470	2900
NA040	Blue	2650	3200
NA050	Purple	2900	3600
NA060	Green	3200	4000
NA079	Orange	3500	4400
NA086	Brown	3850	4900
NA088	Red	4200	5500

BSJ Replacement Sprockets

BSJ Replacement Sprockets will work with Buller, Jammer, SMC and NORAM Clutches that Accept Interchangeable Sprockets.



#35 Sprockets



#219 Sprockets



#40/41 Sprockets

Part No.	Description
APBSJ*	#35 Chain, 12T-20T
APBSJ219*	#219 Chain, 16T-22T
APBSJ1041	#40/41 Chain 10T
APBSJ1141	#40/41 Chain 11T
APSP1908	Replacement Snap Ring
APSP3005	Replacement Bearing for 14T-22T
*specify tooth size when ordering	



Draggin Skin Clutch

4-Cycle Clutch with 3/4" Bore
Inboard or Outboard



The Draggin Skin is a popular choice for avid 4-cycle racers attracted by the ability to fine tune to the changing conditions of the race track.

Features:

- Now Available in #35 & #219 Chain
- Trued Stamped Drum with Interchangeable Sprockets
- Universal Drum to Fit all Sprockets 13 Tooth and Above
- Smaller Sprockets Available with Corresponding Drum Size
- 7 and 10 gram weight kit to fine tune engagement

Complete Clutch & Drums

Part No.	Description
MTDSC2PC	Clutch w/13T & Up Drum
MTDSC2PC10	Clutch w/10T Drum
MTDSC2PC11	Clutch w/11T Drum
MTDSC2PC12	Clutch w/12T Drum
Sprocket Not Included	
Includes Inboard and Outboard Key	



Replacement Trued Drums

Part No.	Description
MTDSURM10T	10T Drum Only
MTDSURM11T	11T Drum Only
MTDSURM12T	12T Drum Only
MTDSURM13T	13T-15T Drum Only
MT1000DS	Drum for Bully/SMC/NORAM
MT1000DS014	Spacer Washer for MT1000DS Drum
MT1000DS750	3/4" Sleeve for MT1000DS Drum



MTDSSHP



MT1000DS

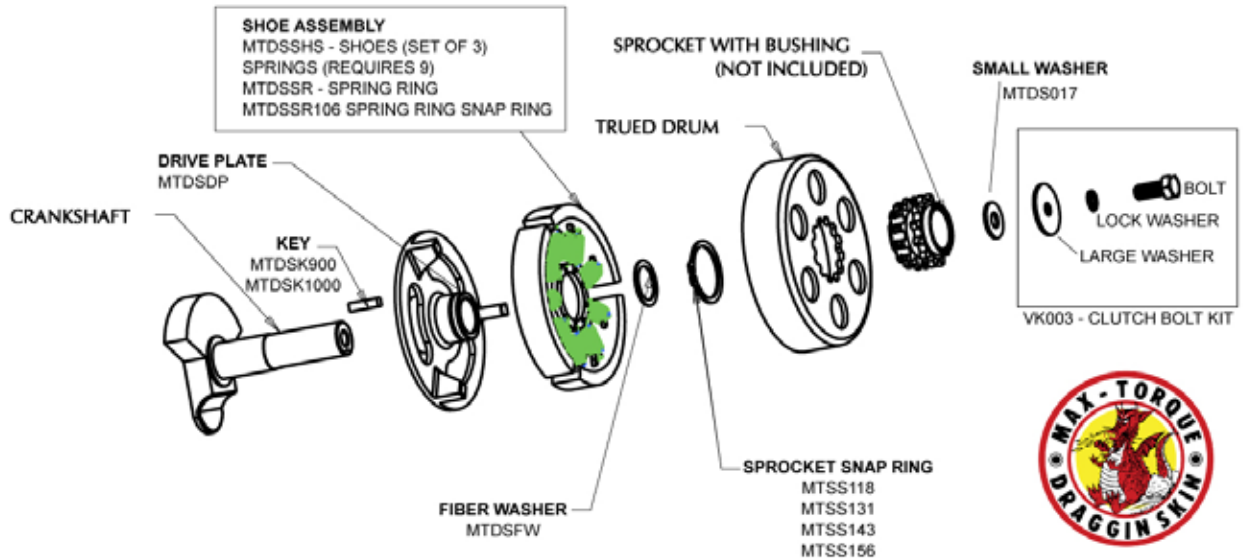
Sprockets

Part No.	Description
#35 Sprockets	
MT10	10T Sprocket
MT11	11T Sprocket
MTDS*	12T-25T Sprocket
#219 Sprockets	
MTDS*219	16T-22T Sprocket
*specify tooth size when ordering	



Sprocket

Draggin Skin Exploded Diagram



Clutch Parts

Part No.	Description
MTDSSR	Spring Ring
MTDSSR106	Spring Ring Snap Ring
MTDS017	Washer-Spacer for Sprin Ring
MTDSSHS'	Red Shoes (Set of 3)
MTDSSHP	Heavy Shoes (Set of 3)
MTSDP	4-Cycle Drive Plate Assembly
MTDSFW	Fiber Washer
MTDSK900	Outboard Key .900" x 3/16"
MTDSK1000	Inboard Key 1" x 3/16"
MTSS118	Sprocket Snap Ring, 10T
MTSS131	Sprocket Snap Ring, 11T
MTSS143	Sprocket Snap Ring, 12T
MTSS156	Sprocket Snap Ring, 13T & Up
MTDSWTS	7 gram weight kit
MTDSWTS10	10 gram weight kit
MTDS07	Washer Float .690 x .3125 x .063
MT1000DS014	Spacer Washer for MT1000DS Drum
MT1000DS750	3/4" Sleeve for MT1000DS Drum

Springs & Engagement

Engagement for Old Style Light Shoes		
Part No.	Color	RPM
MTDS054	Black	2500
MTDS056	Red	2500
MTDS058	Brown	2850
MTDS060	Green	3000
MTDS062	Blue	3275
MTDS064	Purple	3450
MTDS068	Yellow	3800
MTDS072	White	4300
MTDS075	Pink	TBD
MTDS078	Orange	TBD

comes w/purple springs standard

Part No.	Description
MTDSC2PCTOOL	Draggin Skin Spring and Shoe Tool



MTDSC2PCTOOL

Draggin Skin Engagement Chart

Below you will find the spring and weight combination chart to help with setting up your Draggin Skin Clutch.

Springs	Weights	Engagement
all pink		3600-3700
all pink	7 gram middle	3550-3650
all pink (stock setup)	10 gram middle	3400-3500
all pink	7 gram outsides	3350-3450
all pink	10 gram outsides	3300-3400
all pink	7 gram on all	3200-3300
all pink	10 gram on all	3150-3250
all pink	7 gram outsides	3100-3200
all pink	7 gram middle, 10 outsides	3050-3150
pink middle, white outsides		3450-3550
pink middle, white outsides	7 gram middle	3400-3500
pink middle, white outsides	10 gram middle	3250-3350
pink middle, white outsides	7 gram outsides	3200-3300
pink middle, white outsides	10 gram outsides	3100-3200
pink middle, white outsides	7 gram on all	3050-3150
pink middle, white outsides	10 gram on all	3000-3100
pink middle, white outsides	10 gram middle, 7 gram outsides	2950-3050
pink middle, white outsides	7 gram middle, 10 gram outsides	2900-3000
all white		3150-3250
all white	7 gram middle	3100-3200
all white	10 gram middle	2950-3060
all white	7 gram outsides	2900-3000
all white	10 gram outsides	2850-2950
all white	7 gram on all	2800-2900
all white	10 gram on all	2700-2800
all white	10 gram middle, 7 gram outsides	2650-2750
all white	7 gram middle, 10 outsides	2600-2700

*Chart is based on clutch shoes being new. As shoes wear, lighter springs and/or more weights will be necessary to reduce engagement RPM.

*Please note, weights on the outside will result in a harder lockup.





"SS" Series Clutch

4-Cycle Clutch Available in 3/4" Bore or 5/8" Bore
Run Inboard or Outboard



The Max-Torque "SS" Series is the most popular style clutch used by the O.E.M. since its introduction in 1970. The clutch comes in many different configurations to meet any O.E.M. requirement.

Clutch Springs

Part No.	Color	RPM
MTSSBS	Black	3100
MTSSGS	Green	2550
MTSS032M	Plain	2200
MTSSSBUS	Blue	1800
MTSS049	Yellow	1500
comes w/plain springs standard		

3/4" Bore Clutches

Part No.	Description
#35 Chain	
MTSS*34	12T-21T Clutch
#40/41 Chain	
MTSS1041	10T Clutch
*specify tooth size when ordering	

5/8" Bore Clutches

Part No.	Description
#35 Chain	
MTSS1158	11T Clutch
MTSS1258	12T Clutch
#40/41 Chain	
MTSS104158	10T Clutch

Clutch Parts

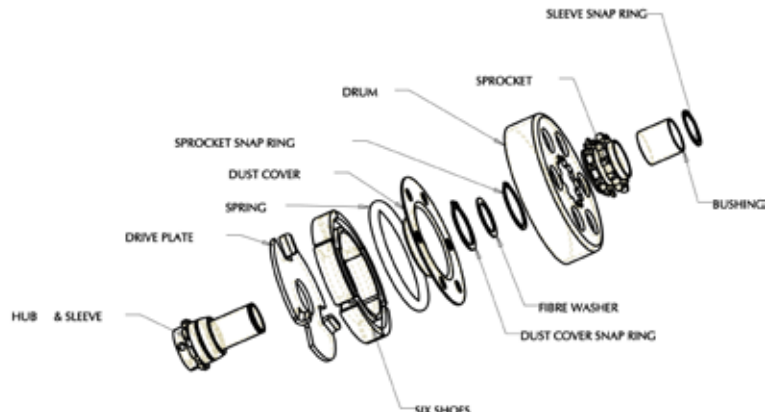
Part No.	Description
MTSS1212	Dust Cover
MTSSSHOE	Clutch Shoe
MTSS125	Dust Cover Snap Ring
MTSS131'	Sprocket Snap Ring, 11T
MTSS156	Sprocket Snap Ring, 13T & Up
MTSS143	Sprocket Snap Ring, 12T
3/4" Bore Specific Parts	
MTSS0634	Bushing
MTSS34FW	Fiber Washer
MTSS0234BP	Backing Plate
MTSS0234H	Hub Assembly
MTSS34SR	Shaft Snap Ring
5/8" Bore Specific Parts	
MTSS0658	Bushing
MTSS58FW	Fiber Washer
MTSS0258BP	Backing Plate
MTSS0258H	Hub Assembly
MTSS58SR	Shaft Snap Ring
*for #35 Chain 11T, or for #40/41 Chain 10T	

3/4" Replacement Drums & Sprockets

Part No.	Description
Replacement Drums - No Sprockets	
MTDSURM12	12T Drum (#35)
MTDSURM	Universal Drum for 13T-25T (#35)
MTDSURM1041	10T Drum (#40/41)
Replacement Sprockets - No Drums	
MT12	12 Sprocket (#35)
MT*	13T-25T (#35)
MT1041	10T Sprocket (#40/41)
Replacement Drum & Sprocket	
MTSSDS1234	12T Drum & Sprocket (#35)
MTSSDS*34	13T-25T Drum & Sprocket (#35)
MTSSDS1041	10T Drum & Sprocket (#40/41)

5/8" Replacement Drums & Sprockets

Part No.	Description
Replacement Drums - No Sprockets	
MTDSURM12	12T Drum Only (#35)
Replacement Sprockets - No Drums	
MT1258	12T Sprocket Only (#35)
MT1041	10T Sprocket Only (#40/41)
Replacement Drum & Sprocket	
MTSSDS1158	11T Drum & Sprocket (#35)
MTSSDS1258	12T Drum & Sprocket (#35)
MTSSDS1058	10T Drum & Sprocket (#40/41)





Box Stock / Clone (IK) Clutch

4-Cycle Clutch with 3/4" Bore

Run Inboard or Outboard

The Box Stock/Clone Clutch (commonly referred to as the "IK Clutch") was Designed by Max-Torque Specifically for the Clone Engines

Clutch Springs

Part No.	Color	RPM
MTSSBS	Black	3100
MTSSGS	Green	2550
MTSS032M	Plain	2200
MTSSSBUS	Blue	1800
MTSS049	Yellow	1500
comes w/black springs standard		

Replacement Drum & Sprockets

Part No.	Description
Replacement Drums - No Sprockets	
MTDSURM	Drum Only, (13T-25T)
MTDSURM10	Drum Only, 10T
MTDSURM11	Drum Only, 11T
MTDSURM12	Drum Only, 12T
Replacement Sprockets - No Drums	
MT*	13T-25T (#35)
MT219*	16T-21T (#219)
Replacement Drum & Sprocket	
MTSSDS*34	13T-25T Drum & Sprocket (#35)
*specify tooth size when ordering	

Complete Clutch

Part No.	Description
MTSS*34IK	#35 (10T-25T)
MTSS219*34IK	#219 (16T-21T)
MTSS1000IK ¹	D Drum Clutch
*Specify tooth size when ordering	
¹ Sprockets Not Included	

Clutch Parts

Part No.	Description
MTFW58	Fiber Washer 10T
MSW58	Steel Washer 10T
MTSS0634	Bushing
MTS34FW	Fiber Washer
MTSS1212	Dust Cover
MTSS0234BP	Backing Plate
MTIKHUB	Hub Assembly
MTIK10HUB	Hub Assembly, (10T & 11T)
MTSS34SR	Shaft Snap Ring
MTSSSHOE	Clutch Shoe
MTSS118	Sprocket Snap Ring, 10T
MTSS125	Dust Cover Snap Ring
MTSS131	Sprocket Snap Ring, 11T
MTSS143	Sprocket Snap Ring, 12T
MTSS165	Sprocket Snap Ring, 13T & Up



D Drum for Box Stock/Clone Clutches

Use Buller, Jammer, SMC and NORAM Clutch Gears on Your Max-Torque Box Stock/Clone Clutch



Part No.	Description
MT1000	D Drum - Box Stock/Clone Clutch Replacement Drum



Max-Lube System

Designed to Address a Frequent Problem in Fun Karts, Lubrication of the Clutch Bushing. This lube system supplies lubrication directly to the clutch bushing through the keyway of the engine crankshaft utilizing a special zerkbolt fitting.



Part No.	Description
MTSS1041L	10T Max-Lube Clutch for #40/41 Chain



V-Belt Clutch

The Max Torque pulley clutch utilizes the same proven sintered metal shoes, spring and oil impregnated bronzed bushing as the "SS" Clutch. The standard V-Belt has a 3.20" pulley that will accommodate an A or B Belt.



Part No.	Description
MT34BELT	3/4" Bore V-Belt Clutch
MT58BELT	5/8" Bore V-Belt Clutch

COMET 350 Series

Comet Single Pulley Clutch



Part No.	Description
CC200182	3/4" V-Belt Clutch
CC202312	5/8" V-Belt Clutch

SCS 400 Series

Automatic Centrifugal Clutch



Part No.	Description
CC206169	12T, 1" Bore, #35 Chain
CC206170	10T, 1" Bore, #40/41 Chain

Clutch Keys



Part No.	Description
PL316K	50 per bag
PL316K500	500 per bag



Part No.	Description
PL110	10 per Bag
PL125	25 per Bag
PL150	50 per Bag
PL1500	500 per Bag
fits NORAM, Cheetah, Horstman and Bully style.	



Part No.	Description
VK1021	Bully Style Clutch Key
Available in bags of 10 or 25	

Clutch Linings



High quality, aftermarket, replacement clutch disc linings for Horstman, Buller, Jammer, & SMC 4-cycle discs.



8 Tab Buller/Jammer Clutch Lining

Part No.	Description
KM815	Greased Lightning

Part No.	Description
KM49028HP	High Performance

Replacement Snap Ring

Part No.	Description
APSP1908	Snap Ring



Clutch Thrust Bearing

Part No.	Description
APSP3012	Thrust Bearing



Crank Spacer Washer

Part No.	Description
AP2425	Spacer Washer



Cranked Stepped End Washer

Part No.	Description
AP238	Stepped Washer



Clutch Bolt Kit

Part No.	Description
VK003	3/4" Bolt Kit
VK0031	1" Bolt Kit
AP144	3/4" & 1" Bolt Kit



VK003
VK0031



AP144

Dry Moly Lubricant

Part No.	Description
MT120	Dry Moly Lubricant



BSJ Replacement Sprockets

Part No.	Description
APBSJ*	#35 Chain, 12T-20T
APBSJ219*	#219 Chain, 16T-22T
APBSJ1041	#40/41 Chain 10T
APBSJ1141	#40/41 Chain 11T
APSP1908	Replacement Snap Ring
APSP3005	Replacement Bearing for 14T-22T

*specify tooth size when ordering

BSJ Replacement Sprockets will work with Buller, Jammer, SMC and NORAM Clutches that Accept Interchangeable Sprockets.



#35 Sprockets



#219 Sprockets



#40/41 Sprockets

GB2-7575 Reduction Gearbox

2:1 Chain Driven Wet Activated Unit

The Noram GB2 - 7575 is designed for the robust demands of the OEM Rental and Karting Markets. Proven components ensure maximum run time and performance. Innovative design allows for a cost effective price.

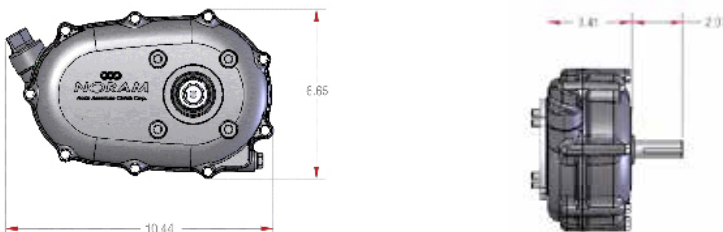
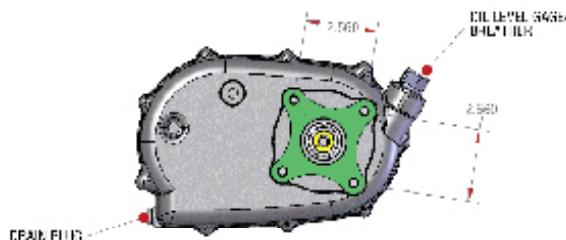
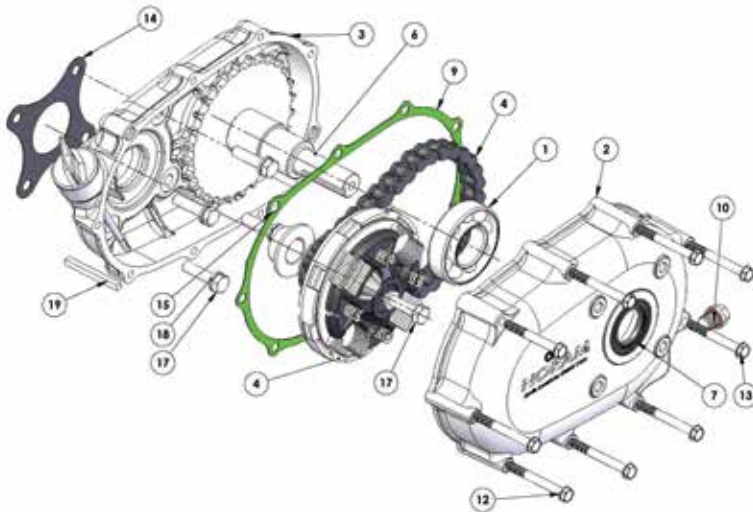
Features:

- Precision Machined Aluminum Die Cast Housings
- High Performance Wet Disc Clutch
- Standard SAE Mounting Hole Configuration
- Oil Dip Stick with Built In Breather
- Heavy Duty #428 Chain Driven
- Self Contained Unit
- Automatic Smooth Engagement
- (4) M8 x 1, 21 MM Threaded Deep Output Mounting Holes



Part No.	Description
NAGB27575	2:1 Gearbox

For 3/4" Crankshaft Engine Up to 10 HP
Fits Predator 212cc, Honda GX160, Briggs Vanguard 6.5, Yamaha MZ175
Models Also Available for Other Engines, Call for Information



Clutch Parts

No.	Part No.	Description
1	NAGB123	Bearing
2	NAGB087	Top Housing
3	NAGB094	Bottom Housing
4	NAGB005	Plate Clutch
5	NAGB120	Bearing, PTO
6	NAGB140	Sprocket Shaft PTO
7	NAGB023	Seal
8	NAGB001	Dipstick/Breather
9	NAGB045	Gearbox Gasket
10	NAGB111	Plug
11	NAGB273	Seal Ring
12	NAGB117	Taptite Scrow, Qty. 7
13	NAGB109	Screw, Qty. 2
14	NAGB044	Gasket
15	NAGB161	Sleeve, Qty. 2
16	NAGB262	Crank Spacer
17	NAGB134	Hex Head Bolt, Qty. 5
18	NAGB086	Lock Washer 5/16", Qty. 5
19	NAGB046	Key
20	NAGB115	M8 x 1.25 30 mm bolt, Qty 4
	NAGB119	M8 x 1.25 35 mm bolt
	NAGB042	Clutch Servie Pack Kit
	NAGB033	Clutch Disc
	NAGB535	Clutch Plate



Comet 20 Series

Driver Unit

Type: Symmetrical (26°)

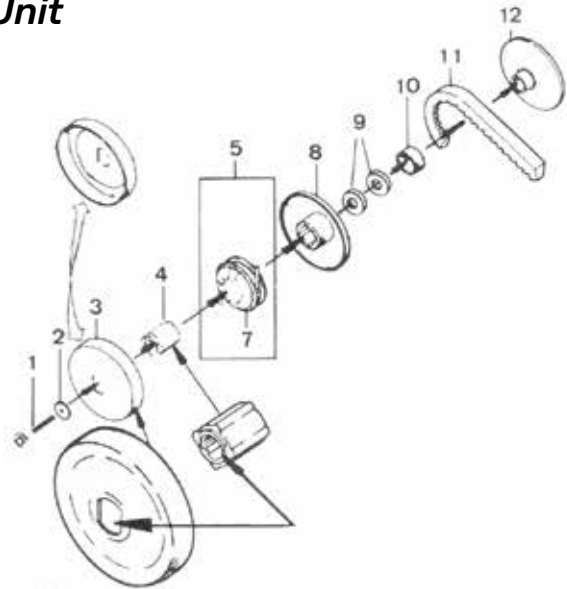
Recommended HP (Max)
For 2-Cycle & 4-Cycle: 8 HP

Drive Belt: 3/4" Top Width (Symmetrical)

Drive Clutch Bore Sizes: 3/4" & 1"
(3/16" - 1/4" Key)

Drive Clutch Engagement Range:
Mini: 1200 RPM
Max: 3100 RPM

Driven Unit Diameter (6" or 7"):
5/8" or 3/4" Bore (3/16" Key)



3/4" Bore Driver Unit

Part No.	Description
CC219559	3/4" Bore Driver

1" Bore Driver Unit

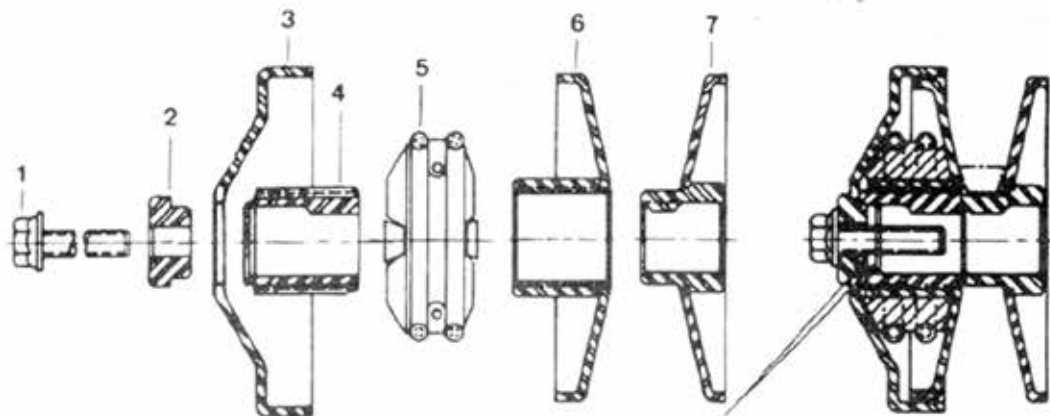
Part No.	Description
CC219560	1" Bore Driver

3/4" Driver Parts List

No.	Part No.	Description
1	CC202092	Bolt 3/8"-24 x 1 1/2"
2	CC200841	Steel Washer 3/8" ID
3	CC219204	Drum
4	CC200376	Hub Driver 3/4" ID 3/16" Key
5	CC200344	Shoe Driver Assembly
7	CC11188	Blue Garter Spring
8	CC219572	Movable Face w/Splined Hub
9	CC200836	Belt Spacer Washer
10	CC200349	Bronze Bushing
12	CC219573	Fixed Sheave 3/4" Bore
11	See Belt Chart	

1" Driver Parts List

No.	Part No.	Description
1	CC202092	Bolt 3/8" - 24 x 1 1/2"
2	CC202429	Pilot Washer
3	CC219563	Drum
4	CC203641	Splined Sleeve, 1/4" key
5	CC200344	Shoe Driver Assembly
6	CC219570	Movable Face w/Splined Hub
7	CC219571	Fixed Face, 1/4" key
11	See Belt Chart	

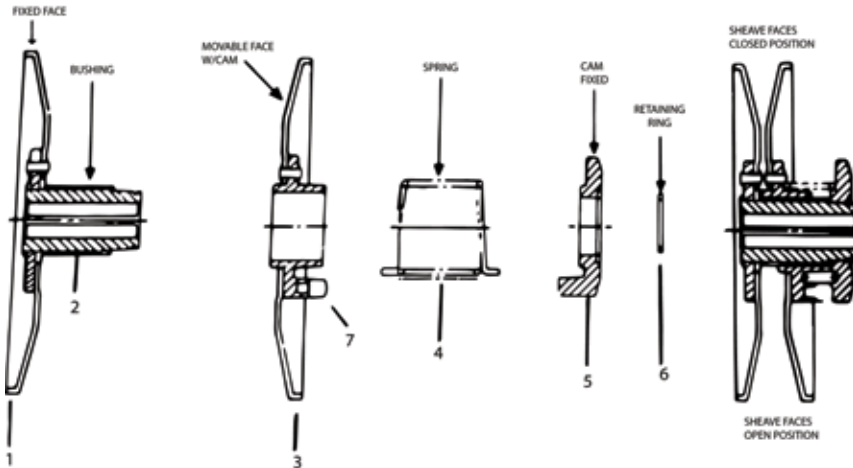




Comet 20 Series

Driven Unit

ASSEMBLY SEQUENCE



6" Diameter Driven Unit

Part No.	Description
CC219463	3/4" Bore Driven Unit
CC219459	5/8" Bore Driven Unit

7" Diameter Driven Unit

Part No.	Description
CC219462	3/4" Bore Driven Unit
CC219461	5/8" Bore Driven Unit

6" Driven Parts List

No.	Part No.	Description
1	CC219474	5/8" Bore Fixed Face w/Post
1	CC219475	3/4" Bore Fixed Face w/Post
2	CC203942	Bushing
3	CC219468	Movable Face w/Cam
4	CC215698	Blue Coil Spring
5	CC215650	Fixed 20° Cam
6	CC204714	Retaining Ring
7	CC219818 ¹	Insert Button (3 pcs) NEW
7	CC204332 ²	Insert Button (3 pcs) OLD

¹black clutches w/snap-in insert buttons
²silver finish clutches, **non snap-in** Insert Button

7" Driven Parts List

No.	Part No.	Description
1	CC219476	5/8" Bore Fixed Face w/Post
1	CC219477	3/4" Bore Fixed Face w/Post
2	CC203942	Bushing
3	CC219469	Movable Face w/Cam
4	CC215698	Blue Coil Spring
5	CC215650	Fixed 20° Cam
6	CC204714	Retaining Ring
7	CC219818 ¹	Insert Button (3 pcs) NEW
7	CC204332 ²	Insert Button (3 pcs) OLD

¹black clutches w/snap-in insert buttons
²silver finish clutches, **non snap-in** Insert Button

Belts - 3/4" Top Width, 30° Symmetric

Part No.	Belt No.	6" Dia.	7" Dia.	Outside
CC203578	884-70	6 15/16" - 7"	No Fit	27.36"
CC203579	884-75	7 1/8" - 7 3/16"	6 1/4" - 6 5/16"	28.32"
CC203580	884-80	7 9/16" - 7 5/8"	6 13/16" - 6 7/8"	29.28"
CC203581	884-85	8 3/16" - 8 1/4"	7 5/16" - 7 3/8"	30.25"
CC203582	884-90	8 11/16" - 8 3/4"	7 3/4" - 7 13/16"	31.23"
CC203583	884-95	9 3/16" - 9 1/4"	8 5/16" - 8 3/8"	32.20"
CC203584	884-100	9 5/8" - 9 11/16"	8 3/4" - 8 13/16"	33.18"
CC203585	884-105	9 15/16" - 10"	9 3/16" - 9 1/4"	33.78"
CC203586	884-115	10 3/4" - 10 13/16"	9 13/16" - 9 7/8"	35.14"
CC203587	884-120	11 1/16" - 11 3/4"	10 15/16" - 11	37.11"
CC203588	884-130	13 1/16" - 13 1/8"	12 1/8" - 12 3/16"	39.77"

12" Universal Jackshaft

12" Universal Jackshaft for Comet 20, 30, 40 Series and TAV2 Torque Converter Systems

Part No.	Description
CC11461	12" Universal Jackshaft



Comet 30 Series

Driver Unit

Type: Asymmetrical (20 1/2°)

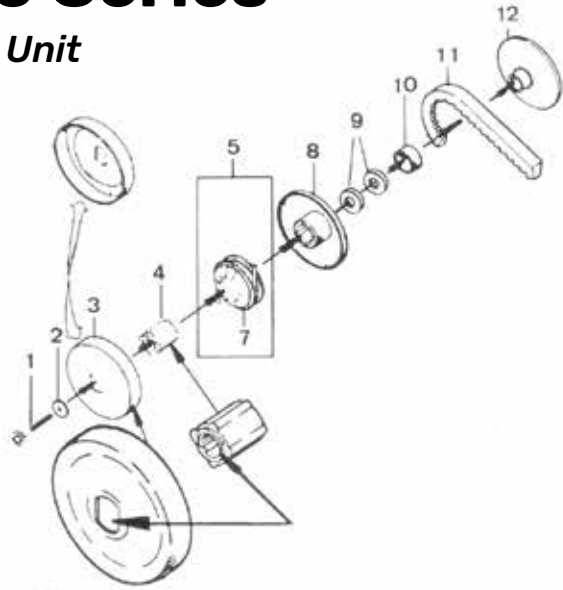
Recommended HP (Max)
For 2-Cycle & 4-Cycle: 8 HP

Drive Belt: 3/4" Top Width (Asymmetrical)

Drive Clutch Bore Sizes: 3/4" & 1"
(3/16" - 1/4" Key)

Drive Clutch Engagement Range:
Min: 1200 RPM
Max: 3100 RPM

Driven Unit Diameter (6" or 7"):
5/8" or 3/4" Bore (3/16" Key)



3/4" Bore Driver Unit

Part No.	Description
CC219552	3/4" Bore Driver

1" Bore Driver Unit

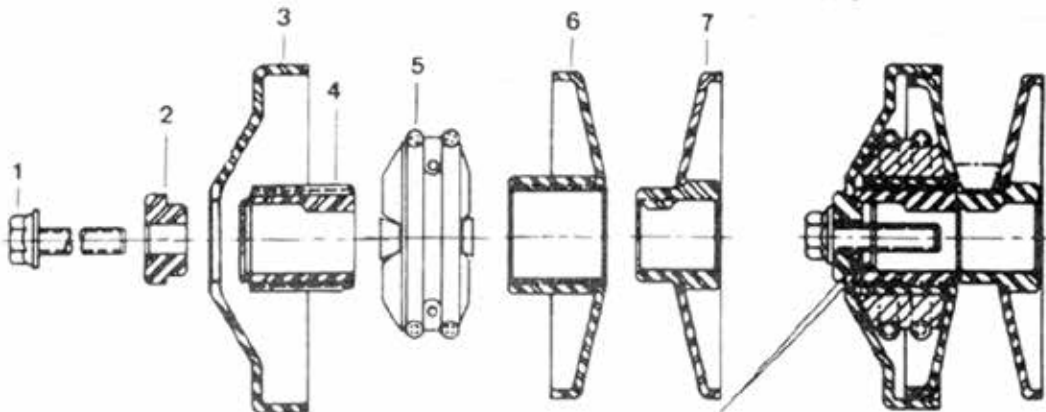
Part No.	Description
CC219554	1" Bore Driver

3/4" Driver Parts List

No.	Part No.	Description
1	CC202092	Bolt 3/8"-24 x 1 1/2"
2	CC200841	Steel Washer 3/8" ID
3	CC219204	Drum
4	CC200376	Hub Driver 3/4" ID 3/16" Key
5	CC200344	Shoe Driver Assembly
7	CC11188	Blue Garter Spring
8	CC219205	Movable Face w/Splined Hub
9	CC200836	Belt Spacer Washer
10	CC200349	Bronze Bushing
12	CC219278	Fixed Sheave 3/4" Bore
11	See Belt Chart	

1" Driver Parts List

No.	Part No.	Description
1	CC202092	Bolt 3/8" - 24 x 1 1/2"
2	CC202429	Pilot Washer
3	CC219563	Drum
4	CC203641	Splined Sleeve, 1/4" key
5	CC200344	Shoe Driver Assembly
6	CC219561	Movable Face w/Splined Hub
7	CC219562	Fixed Face, 1/4" key
11	See Belt Chart	

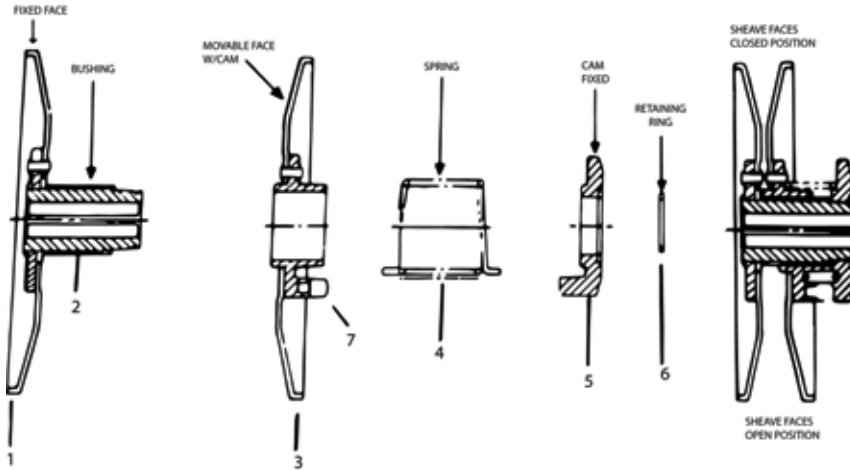




Comet 30 Series

Driven Unit

ASSEMBLY SEQUENCE



6" Diameter Driven Unit

Part No.	Description
CC219465	3/4" Bore Driven Unit
CC219456	5/8" Bore Driven Unit

7" Diameter Driven Unit

Part No.	Description
CC219464	3/4" Bore Driven Unit
CC219457	5/8" Bore Driven Unit

6" Driven Parts List

No.	Part No.	Description
1	CC219470	5/8" Bore Fixed Face w/Post
1	CC219471	3/4" Bore Fixed Face w/Post
2	CC203942	Bushing
3	CC219467	Movable Face w/Cam
4	CC215699	Green Coil Spring
5	CC215650	Fixed 20° Cam
6	CC204714	Retaining Ring
7	CC219818 ¹	Insert Button (3 pcs) NEW
7	CC204332 ²	Insert Button (3 pcs) OLD

¹black clutches w/snap-in insert buttons
²silver finish clutches, **non snap-in** Insert Button

No.	Part No.	Description
1	CC219472	5/8" Bore Fixed Face w/Post
1	CC219473	3/4" Bore Fixed Face w/Post
2	CC203942	Bushing
3	CC219467	Movable Face w/Cam
4	CC215699	Green Coil Spring
5	CC215650	Fixed 20° Cam
6	CC204714+	Retaining Ring
7	CC219818 ¹	Insert Button (3 pcs) NEW
7	CC204332 ²	Insert Button (3 pcs) OLD

¹black clutches w/snap-in insert buttons
²silver finish clutches, **non snap-in** Insert Button

Belts - 3/4" Top Width, 30° Symmetric

Part No.	Belt No.	6" Dia.	7" Dia.	Outside
CC203589	994-70	6 1/16" - 7"	No Fit	27.36"
CC203590	994-75	7 1/8" - 7 3/16"	6 1/4" - 6 5/16"	28.32"
CC203591	994-80	7 3/16" - 7 5/8"	6 13/16" - 6 7/8"	29.28"
CC203592	994-85	8 3/16" - 8 1/4"	7 5/16" - 7 3/8"	30.25"
CC203593	994-90	8 1/16" - 8 3/4"	7 3/4" - 7 13/16"	31.23"
CC203594	994-95	9 3/16" - 9 1/4"	8 5/16" - 8 3/8"	32.20"
CC203595	994-100	9 5/8" - 9 11/16"	8 3/4" - 8 13/16"	33.18"
CC203596	994-105	9 15/16" - 10"	9 3/16" - 9 1/4"	33.78"
CC203597	994-110	10 3/4" - 10 13/16"	9 13/16" - 9 7/8"	35.14"
CC203598	994-120	11 1/16" - 11 3/4"	10 15/16" - 11"	37.11"
CC203599	994-130	13 1/16" - 13 1/8"	12 1/8" - 12 3/16"	39.77"

12" Universal Jackshaft

12" Universal Jackshaft for Comet 20, 30, 40 Series and TAV2 Torque Converter Systems

Part No.	Description
CC11461	12" Universal Jackshaft

COMET Comet TAV2 30 Series

Type: Asymmetrical (20 1/2°)

Recommended HP (Max)
For 2-Cycle & 4-Cycle: 8 HP

Drive Belt: 3/4" Top Width (Asymmetrical)

Drive Clutch Bore Sizes: 3/4" & 1"
(3/16" - 1/4" Key)

Drive Clutch Engagement Range:
2200 RPM

Driven Unit Diameter 6"

1" Bore Driver Unit

Part No.	Description
CC218354	12T #35 Chain
CC218355	10T #40/41 Chain

3/4" Bore Driver Unit

Part No.	Description
CC218352	12T #35 Chain
CC218353	10T #40/41 Chain

Parts List

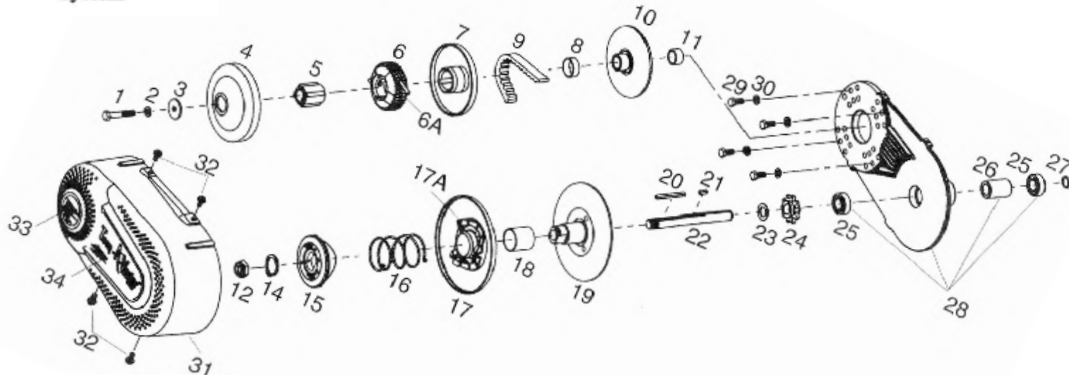
No.	Part No.	Description
4	CC219204	Driver Drum TAV2-75
4	CC219563	Driver Drum TAV2-100
5	CC200376	Driver Hub 3/4" ID
5	CC203641	Driver Hub 1" ID
6	CC200344	Complete Driver Weight Assembly
6A	CC11188	Blue Spring
7	CC219205	3/4" Sheave, Movable Half w/Hub
7	CC219561	1" Sheave, Movable Half w/Hub
8	CC200349	Bronze Bushing
9	CC203589	7" Asymmetric Belt
10	CC219278	2 1/2" Stationary Sheave 3/4" ID
10	CC219562	2 1/2" Stationary Sheave 1" ID
14	CC204177	Retaining Ring
15	CC215650	Fixed Cam
16	CC215699	Green Spring
17	CC219647	Movable Face w/Cam
17A	CC219818	Insert Button (3 pcs)
18	CC203942	Bushing
19	CC217612	3/8" Bore Fixed Face w/Post
22	CC212225	5/8" Diameter Jackshaft
24	CC20379	12T Sprocket #35 Chain
24	CC202168	10T Sprocket #40/41 Chain
27	CC212227	Retaining Ring
28	CC218525	Mounting Bracket (Bearing & Spacer)
31	CC218351	Plastic Shroud with Decals

Replacement Driven Unit

Part No.	Description
CC219456	5/8" Bore 6" Driven

Replacement Driver Unit

Part No.	Description
CC219552	3/4" Bore Driver
CC219554	1" Bore Driver





Comet 40 Series

Type: Symmetrical (26°)

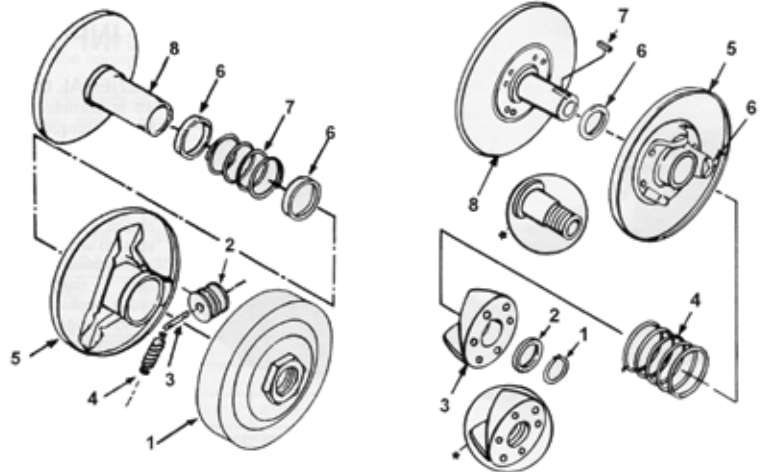
Recommended HP:
(For 4-Cycle)
Min: 8 HP
Max: 18 HP

Drive Belt: 7/8" Top Width (Symmetrical)

Drive Clutch Bore Sizes: 1" (1/4" Key)

Drive Clutch Engagement Range:
Min: 1600 RPM Max: 3100 RPM

Driven Unit:
7 1/2" Diamenter (40D)
8 1/2" Diameter (44D)



44 Drive Clutch

40/44D Driven Unit

40 Series Belts

40D Driven Unit Parts List

No.	Part No.	Description
1	CC203159	Retaining Ring
2	CC205208	Thrust Washer
3	CC209115	Fixed Cam
4	CC203130	Red Spring
5	CC209128	Movable Face & Cam w/Bearing
6	CC203097	Spacer
8	CC209150	5/8" Bore Fixed Face & Post
8	CC209132	3/4" Bore Fixed Face & Post
9	CC206458	Button

Part No.	Belt No.	40CD Setting	44CD Setting	Outside
CC203783	40-75	7 1/4"		31.95"
CC203784	40-80	7 7/8"		32.9"
CC203785	40-85	8 3/16"		33.87"
CC203786	40-90	8 5/8"	7 5/8"	34.83"
CC203787	40-95	9 3/8"	8 3/16"	35.80"
CC203788	40-100	9 3/4"	8 1/16"	36.78"
CC203789	40-110	10 1/2"	9 5/8"	38.65"
CC203790	40-120	11 1/2"	10 9/16"	40.50"
CC203791	40-130	12 5/8"	11 1/16"	42.66"
CC203792	40-105	10 1/4"	9 3/16"	37.75"
CC204331	40-140	13 3/4"	12 5/8"	44.53"
CC213165	44-85	15 3/16"	14 7/32"	47.5"
CC213295	44-75	14 11/32"	13 13/32"	45.38"

44D Driven Unit Parts List

No.	Part No.	Description
3	CC209621	Fixed Threaded Cam
4	CC203130	Red Spring
5	CC209620	Movable Face & Cam w/Bearing
9	CC206458	Button

44D Driven Unit (8 1/2" Dia.)

Part No.	Description
CC209621	3/4" Driven Unit

40D Driven Unit (7 1/2" Dia.)

Part No.	Description
CC209151	5/8" Driven Unit
CC209133	3/4" Driven Unit
CC209139	7/8" Driven Unit

Complete Drive Clutch

Part No.	Description
CC203015	1" Bore Driver

40 Drive Clutch Parts

No.	Part No.	Description
1	CC203021	Cover & Drive Plate
2	CC203648	Standard Cam Roller
3	CC203044	Spring Clip
4	CC203043	Yellow Extension Spring
5	CC203022	Movable Face w/Hub
6	CC203031	Guide Bushing
7	CC203039	Compression Spring
8	CC203023	1" Bore Fixed Face & Post



FS-10 Helmets

Snell M2025D

FS-10 Helmets are expected to be available late 1st Quarter of 2025.



Silver/Black



Red/Black



Blue/Silver

All new FS-10 is constructed of a lightweight fiberglass shell offering a superior fiberglass impact absorption, a characteristic only seen on helmets twice the cost.

Features:

- composite fiberglass lightweight shell for superior performance
- adjustable air flow vents, chin and scalp vents with rear exhaust
- moisture absorbent fabric interior removable to wash or replace
- interchangeable liner for custom fit
- Z-19 shield optically correct with lock button in closed position

Graphics

Part No.	Description
ZHFS10SB*	Silver/Black Graphic (ADD SIZES)
ZHFS10RB*	Red/Black Graphic (ADD SIZES)
ZHFS10BS*	Blue/Silver Graphic (ADD SIZES)

Solid

Part No.	Description
ZHFS10W*	Solid White
ZHFS10B*	Gloss Black
ZHFS10FB*	Matte Black
ZHFS10MG	Matte Gray



White



FS-10 Helmet Parts & Accessories

Parts and Accessories to fit FS-10 Helmets and prior models, FS-9 and FS-8.

Z-19 Shields



Part No.	Description
ZHFS8SC	Clear Replacement Shield
ZHFS8SS	Light Smoke Replacement Shield
ZHFS8SDS	Dark Smoke Replacement Shield
ZHFS8SM	Silver Mirror Replacement Shield
ZHFS8SI	Iridium Replacement Shield
ZHFS8PK	Pivot Kit for Shield
Shields fit FS-8, FS-9, and FS-10 Helmets	

Other Parts & Accessories



Part No.	Description
ZHFS8PK ¹	Pivot Kit for Shield*
ZHFS8CP*	Replacement Cheek Pads
ZHFS8CL*	Replacement Crown Liner
VHHS	Balaclava - One size fits all
ZHHB2003	Single Helmet Bag - Grey
ZHHB003003	Three Helmet Bag - Black
IR7200	Impact Gear Bag
*specify size when ordering XS-2XL	
¹ fits FS-8, FS-9, and FS-10 Helmets	

Helmet Bag with Fan



ZHHB004003

Zamp's new Helmet Bag with fan is designed with the racer in mind. It has a soft interior liner and a USB powered fan to help keep your helmet cool and dry. Featuring a rectangle design, it allows you to carry your favorite Zamp accessories as well.

Part No.	Description
ZHHB004003	Helmet Bag with Fan



ZR-72 Helmets

FIA8859-2015, Snell SA2020



Zamp's Made in Italy Series ZR-72 Helmet comes with Advanced FIA 8859-2015 and Snell SA2020 Safety Standards. and features a super lightweight shell. The Z-24 Clear Anti-Fog Shield is included.

Features Include:

- Advanced Aerodynamic Shell for an Incredibly Lightweight Helmet
- XS - Medium weight = 1600g; Large and Up = 1750g
- Accessory options including Adjustable Rear Top Spoiler
- Top Air Inlet Choose from Natural Air, Forced Air or Air Plugs
- Includes 2 Center Vent Positions, Vented and Closed
- Plush Fire Retardant Interior Removable to Wash, Replace or Even Customize the Fit
- EPS Chin Bar Foam for Added Protection
- Z-24 Series Clear Anti-Fog Shield with Tear Off Posts
- M6 Inserts for Head and Neck Restraints



Black/Red/Orange



Black/Grey/Light Grey



Black/Red/Blue



White/Blue/Light Blue

Graphics

Part No.	Description
ZHZR72BG*	Black/Grey/Lt. Grey Graphic (XS-2XL)
ZHZR72BRB*	Black/Red/Blue Graphic (XS-2XL)
ZHRZ72BRO*	Black/Red/Orange Graphic (XS-2XL)
ZHZR72WB*	White/Blue/Lt.Blue Graphic (XS-2XL)
*specify size when ordering	
XS and 2 XL Available by Special Order Only	



Gloss Black Flat Black Matte Grey White

Solid Colors

Part No.	Description
ZHZR72B*	Gloss Black (XS-2XL)
ZHZR72FB*	Flat Black (XS-2XL)
ZHZR72MG*	Matte Grey (S-XL)
ZHZR72W*	White (XS-2XL)
*specify size when ordering	
XS and 2 XL Available by Special Order Only	
Matte Grey Available by Special Order Only	

Z-24 Shields

The ZR-72 Series Helmets take the Z-24 Series Shields



Part No.	Description
ZHZ24CLAF	Clear Antifog
ZHZ24LTAF	Smoke Antifog
ZHZ24DKAF	Dark Smoke Antifog
ZHZ24AMAF	Amber Antifog
ZHZ24GNPAF	Green Prism Antifog
ZHZ24BPAF	Blue Prism Antifog
ZHZ24GPAF	Gold Prism Antifog
ZHZ24IMAF	Iridium Antifog
ZHZ24SM	Silver Mirror
ZHZ24PHOTOAF	Photochromatic Antifog FIA
ZHZ24POLARAF	Polarized Antifog FIA
ZHZ24PPAF	Purple Prism Antifog FIA
ZHZ24RPAF	Red Prism Antifog FIA
ZHZ20PK	Z-24/20 Shield Pivot Kit
KL400	Klotz Clear Antifog Gel



ZHZ20PK



KL400



RZ-70E "Switch"

FIA8859-2015, Snell SA2020



Blue/Light Blue



Orange/Yellow



Green/Purple



Grey/Light Grey

The Revolutionary "Switch" Helmet from Zamp allows you to easily configure your helmet for a variety of racer setups with just a few screws and the unique triangle cap system. 360° Air Channeling provides the ultimate air flow through the Z-Channel in shell.

Features Include:

- Composite Aramid Mix for a Lightweight Shell
- Z-Channel Design in Shell Circulates Air Through Large Internal Channels
- Easy Mount Communications, Microphone & Drink Tube with Channels in EPS Chin Bar Foam
- Z-20 Series 3mm Clear Shield with Posts at 12.25" Center Using Banana Style Tear Offs
- Triangle Cap System Option of Aero Cap or Communications Cap, Easy to Reconfigure Fits Left or Right
- Special Order Factory Helmet Configuration for Communications and Hydration Available
- M6 Inserts for Head and Neck Restraints
- Snell SA2020/FIA Approved

Part No.	Description
ZHRZ70EOY*	Orange/Yellow Graphic (XS-2XL)
ZHRZ70EBLB*	Blue/Light Blue Graphic (XS-2XL)
ZHRZ70EGLG*	Gray/Light Gray Graphic (XS-2XL)
ZHRZ70EGP*	Green/Purple Graphic (XS-2XL)
ZHRZ70ERB*	Red/Black/Blue Graphic (XS-2XL)
ZHRZ70EGY*	Green/Black/Yellow Graphic (XS-2XL)
ZHRZ70EW*	Gloss White (XS-2XL)
ZHRZ70EB*	Gloss Black (S-XL)
ZHHTV200CL	Top Vent for RZ-70
ZHHSZ40CL	Rear Spoiler for RZ-70
*specify size when ordering	
XS and 2 XL Available by Special Order Only	

Matte Graphic



Red/Blck/Blu



Grn/Blck/Yel

Solid Colors



Gloss White



Gloss Black



RZ-62 Helmets

Snell SA2020



Blue/Green



Pink/Purple



Red/Orange

The RZ-62 Helmet from Zamp offers more unique race set ups than any other helmet in the same price range. Customize it for Open Wheel, Closed Cockpit, Dirt or Kart Racing.

Features Include:

- Aramid Mix Shell for Super Lightweight Helmet
- Optimized Aerodynamics with Chin Bar and Aero Lips in Shell
- Optional Accessory Aero Chin Lip & Rear Spoiler
- Tri-Tech Air System Choose from Natural Air, Forced Air or Air Plugs
- Most Adjustable Air Flow on the Market with Adjusting Top and Side Inlets
- Plush Fire Retardant Interior Removable to Wash, Replace or Even Customize the Fit
- EPS Chin Bar Foam for Added Protection
- Z-20 Series 3mm Clear Shield with Posts at 12.25" Center Using Banana Style Tear Offs
- Hydration Hole/Plug Front and center in Chin Bar with Easy Setup
- Ear Cups & Ear Pads to Give Driver Quieter Environment, Hear What You Need to Hear
- M6 Inserts for Head and Neck Restraints



Matte Black



White

Part No.	Description
ZHRZ62PP*	Pink/Purple Graphic (XS-2XL)
ZHRZ62BG*	Blue/Green Graphic (XS-2XL)
ZHRZ62RO*	Red/Orange Graphic (XS-2XL)
ZHRZ62W*	Solid White (XS-2XL)
ZHRZ62B*	Matte Black (S-XL)
*specify size when ordering (XS-2XL)	



RZ-65D

Snell SA2020



Flo Blue Carbon



Flo Orange Carbon



Carbon Gray Graphic

The RZ-65D is Zamp's Premium Dirt Helmet . The large weave carbon mix construction and lower front spoiler create a super lightweight, well balanced shell with optimized aerodynamics. With the Dirt Racer in mind, Zamp has added dual chin curtains on top and bottom of chin bar to keep dirt out and reduce visor fogging.

Features Include:

- Large Weave Carbon Mix Shell for a Super Lightweight Helmet
- Dual Chin Curtains Mounted on Top and Bottom of the Chin Curtain
- Optimized Aerodynamics for Improved Stability with a Large Front Lower Spoiler
- Low Profile Top Air Attachment NOT INCLUDED
- Top Air System - Choose to run Natural Air, Forced Air or Air Plugs
- Removable/Washable Plush Soft Interior
- EPS Chin Bar Foam Provides Extra Protection
- Z-20 Series 3mm Clear Shield with Posts at 12.25" Center Using Banana Style Tear Offs
- Hydration Hole/Plug Center in Chin Bar with Easy Set Up
- Ear Cups & Ear Pads Give Driver Quieter Environment to Hear What They Need to Hear
- Easy Integration of Communication Equipment in Cheek EPS and Comfort Liner
- M6 Inserts for Head and Neck Restraints



Gloss Carbon



Matte Carbon

Part No.	Description
ZHRZ65DBG*	Carbon Gray Graphic (XS-2XL)
ZHRZ65DC*	Gloss Carbon (S-2XL)
SPECIAL ORDER ONLY	
ZHRZ65DFB*	Flo Blue Carbon Graphic (XS-2XL)
ZHRZ65DFO*	Flo Orange Carbon Graphic (XS-2XL)
ZHRZ65DMC*	Matte Carbon (S-2XL)
*specify size when ordering	
XS & 2XL Sizes Special Order Only	



RZ-64C

Snell SA2020

Zamp's RZ-64C with Tri-Tech Air System and choice of ear cups or ear pads makes it unique for every type of racing in every type of condition.

Features Include:

- Large Weave Carbon Mix for a Super Lightweight Shell
- Optimized Aerodynamics with Chin Bar and Aero Lips in Shell
- Optional Accessory Aero Chin Lip & Rear Spoiler
- Tri-Tech Air System Choose from Natural Air, Forced Air or Air Plugs
- Most Adjustable Air Flow on the Market with Adjusting Top and Side Inlets
- Plush Fire Retardant Interior Removable to Wash, Replace or Even Customize the Fit
- EPS Chin Bar Foam for Added Protection
- Z-20 Series 3mm Clear Shield with Posts at 12.25" Center Using Banana Style Tear Offs
- Hydration Hole/Plug Front and center in Chin Bar with Easy Setup
- Ear Cups & Ear Pads to Give Driver Quieter Environment, Hear What You Need to Hear
- M6 Inserts for Head and Neck Restraints



Gloss Carbon



Matte Carbon

Part No.	Description
ZHRZ64C*	Gloss Carbon (XS-2XL)
ZHRZ64CMC*	Matte Carbon (XS-2XL) SPECIAL ORDER ONLY
*specify size when ordering	

RZ-36D

Snell SA2020

The RZ-36D (Dirt) from Zamp is designed for the dirt racer, with no front vents and a lower chin curtain to keep dirt and dust out.

Features Include:

- Composite Fiberglass Lightweight Shell
- 7-Top Air System Plus Scalp & Exhaust Vents
- No Front Vents & Chin Curtain Keep Dirt and Dust Out
- Plush Fire Retardant Liner Removable/Washable to Replace or Custom Fit
- Z-20 Series 3mm Clear Shield with Posts at 12.25" Center Using Banana Style Tear Offs
- Easy Radio/Hydration Installation with Holes on Sides of Chin Bar Foam



Part No.	Description
ZHRZ36DB*	Gloss Black (XS-2XL)
*specify size when ordering	



RZ-59 Helmets

Snell SA2020

Zamp's RZ-59 combines the latest technology in a comfortable helmet with great ventilation at a price that makes it the best value on the market.

Features Include:

- Composite Fiberglass Lightweight Shell
- Minimal Forward Venting Plus Scalp and Exhaust Vents
- Plush Fire Retardant Interior Removable to Wash, Replace or Even Customize the Fit
- Z-20 Series 3mm Clear Shield with Posts at 12.25" Center Using Banana Style Tear Offs
- M6 Inserts for Head and Neck Restraints



Matte Black



Matte Grey

Part No.	Description
ZHRZ59B*	Matte Black (S-XL)
ZHRZ59G*	Matte Grey (S-XL) SPECIAL ORDER ONLY

*specify size when ordering (XS-2XL)



HELMET SIZING CHART

ADULT SIZES

	X-SMALL	SMALL	MEDIUM	LARGE	X-LARGE	XX-LARGE	XXX-LARGE
CM	54cm	56cm	58cm	60cm	62cm	63cm	64cm
INCHES	21.25"	22"	22.83"	23.62"	24.4"	24.8"	25.20"
HAT SIZE	6 3/4	7	7 1/4	7 1/2	7 3/4	7 7/8	8



Z-20 Shields

The Z-20 Series shields fit most of the RZ and Youth Helmets. Always double check the helmet model before ordering.



ZHZ20SC



ZHZ20SS



ZHZ20SDT



ZHZ20SA



ZHZ20SSM



ZHZ20SI



ZHZ20SBP



ZHZ20SRP



ZHZ20SGP



ZHZ20SGRNP



ZHZ20SPP



ZHZ20SCAF



ZHZ20SDTAF



ZHZ20SAAF



ZHZ20SPHOTO

Part No.	Description
ZHZ20SC	Clear Shield
ZHZ20SS	Light Smoke Shield
ZHZ20SDT	Dark Smoke Shield
ZHZ20SA	Amber Shield
ZHZ20SSM	Silver Mirror Shield
ZHZ20SI	Iridium Shield
ZHZ20SBP	Blue Prism Shield
ZHZ20SRP	Red Prism Shield
ZHZ20SGP	Gold Prism Shield
ZHZ20SGRNP	Green Prism Shield
ZHZ20SPP	Purple Prism Shield
ZHZ20SCAF	Clear Antifog Shield
ZHZ20SDTAF	Dark Smoke Antifog Shield
ZHZ20SAAF	Amber Antifog Shield
ZHZ20SPHOTO	Photochromatic Shield
ZHZ20PK	Z-20 Pivot Kit
KL400	Klotz Shield Antifog Gel



ZHZ20PK



KL400



Other Helmet Accessories

Contact Joe directly for assistance with replacement helmet liners or other accessories. Please have the helmet model and size available before calling.



ZHRZCP

ZHRZCL

ZHRZCF

ZHRZEAR

ZHHALCC20

ZHRZCS

ZHRZRS

US1256

KM1004

IR011

Part No.	Description
ZHRZCP*	RZ Replacement Cheek Pads
ZHRZCL*	RZ Replacement Crown Liner
ZHRZCF	RZ Replacement Chin Foam
ZHRZEAR	RZ Replacement Ear Muffs
ZHHALCC20	Chin Curtain/Breath Deflector
ZHRZCS	Chin Spoiler
ZHRZRS	Rear Spoiler
US1256	Ultra-Shield Tear Offs, 20 pack
KM1004	Helmet Support Strap
IR011	Helmet D-Ring
VHHS	Balaclava - One Size Fits All
ZHHB2003	Single Helmet Bag - Grey
ZHHB003003	Three Helmet Bag - Black
IR7200	Impact Gear Bag
ZHHB004003	Zamp Helmet Bag with Fan
*specify size when ordering XS-2XL	
†fits FS-8, FS-9, and FS-10 Helmets	



VHHS



ZHHB2003



ZHHB003003



IR7200



ZHHB004003



Youth Helmet

RZ-37Y

SFI 24.1



Purple/Pink



Black/Grey



Gloss Black



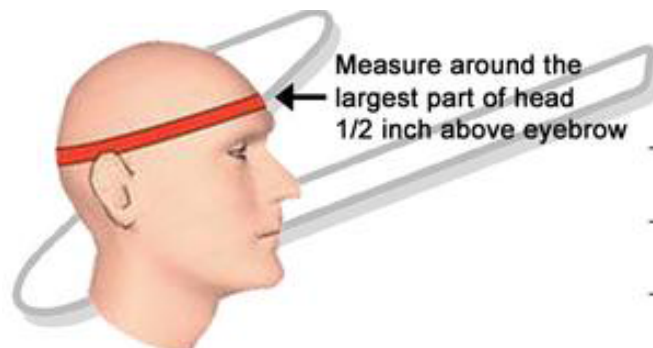
White

The Zamp RZ-37Y Helmet was designed for youth auto racing applications. The SFI 24.1 rating was established to set uniform test procedures and minimum standards for evaluating youth full face helmets used in competitive motorsports. This includes being manufactured with a smaller shell in comparison to adult helmets making them lighter weight, a better fit, and the better protection for young drivers.

Features Include:

- Smaller Composite Fiberglass Shell
- Lightweight approx. 1250 grams (+/- 50 grams)
- Plush Fire Retardant Interior Removable/Washable & Interchangeable
- Z-20 Series Shield 3mm Clear Shield with 12.25" Center Tear Off Posts
- M6 Inserts for Head and Neck Restraints

Part No.	Description
ZHRZ37YPP*	Purple/Pink Graphic
ZHRZ37YBG*	Black/Grey Graphic
ZHRZ37YB*	Gloss Black
ZHRZ37YW*	White
*specify size when ordering	
Only Available in 54cm or 56cm	



YOUTH SIZES

	52	54	56	57
CM	52cm	54cm	56cm	57cm
INCHES	20.5"	21.25"	22"	22.44"
HAT SIZE	6 1/2	6 3/4	7	7 1/8



Youth Helmet

RZ-42Y

Snell CMR 2016



Green/Silver



Blue/Orange



Orange/Yellow

Zamp's RZ-42Y was designed for youth auto racing applications. The Snell CMR2016 rating was established by the Snell Foundation in collaboration with the FIA to create a uniform set of standards which full face helmets designed for youth in Motorsports must all meet. Key to this standard is a maximum helmet weight and smaller shell designed for the youth helmet. The best protection for a young driver is a properly fitted certified youth helmet.

Features Include:

- Composite Kevlar Mix for a Super Lightweight Shell
- Small Shell Designed Specifically for Youth
- Option to Run Forced Air Accessory with Top Air Intake Vent and Chin Vents
- Plush Fire Retardant Interior Removable/Washable to Replace or Refit



Black/Green/Lt. Green



Gloss White



Gloss Black



Black/Red/Orange

Part No.	Description
ZHRZ42YGS*	Green/Silver Graphic
ZHRZ427B0*	Blue/Orange Graphic
ZHRZ42YOY*	Orange/Yellow Graphic
ZHRZ42YGLG*	Black/Green/Light Green Graphic
ZHRZ42YRO*	Black/Red/Orange Graphic
ZHRZ42YWB*	White/Blue/Light Blue
ZHRZ42YW*	Gloss White
ZHRZ42YB*	Gloss Black
*specify size when ordering	
Available in Sizes 52cm, 54cm, 56cm, and 59cm	



White/Blue/Light Blue



Special Order Helmets

SPECIAL ORDER ITEMS MAY NOT BE CANCELLED OR RETURNED

RZ-36

SNELL SA2020

Zamp's RZ-36 Helmet Features the 7-Top Air System in addition to chin, scalp and exhaust cents. A removable plush fire retardant interior is easily removed with velcro. Wash it, replace it, or size down/up for a more custom fit.

Features Include:

- Composite Fiberglass Lightweight Shell
- 7-Top Air System in Addition to Chin, Scalp & Exhaust Vents
- Z-20 Series 3mm Clear Shield with Posts at 12.25" Center Using Banana Style Tear Offs
- Plush Fire Retardant Interior Removable to Wash, Replace or Even Customize the Fit
- Hydration Hole/Plug On Sides of Chin Bar with Easy Setup
- Upper Chin Curtain Included, Can be Mounted Top or Bottom
- M6 Inserts for Head and Neck Restraints



White



Matte Black

Part No.	Description
ZHRZ36W*	White (XS-XL)
ZHRZ36B*	Matte Black (S-XL)
*specify size when ordering	
SPECIAL ORDER ONLY	

RZ-56

SNELL SA2020

Zamp's New RZ-56 Helmet has minimal forward venting and the option to add a top air accessory. By running a forced air system driver remains cool and prevents fogging in extreme conditions.

Features Include:

- Composite Fiberglass Lightweight Shell
- Plush Fire Retardant Interior Removable to Wash, Replace or Even Customize the Fit
- Z-20 Series 3mm Clear Shield with Posts at 12.25" Center Using Banana Style Tear Offs
- Optional Top Air Accessory to Run Forced Air System
- Minimal Forward Venting Plus Scalp and Exhaust Vents
- M6 Inserts for Head and Neck Restraint



White



Gloss Black

Part No.	Description
ZHRZ56W*	White (XS-3XL)
ZHRZ56B*	Gloss Black (S-XL)
*specify size when ordering	
SPECIAL ORDER ONLY	



RZ-60

SNELL SA2020

Hear what you need to hear with the Zamp RZ-60. The traditional design shell comes equipped with both ear cups and ear pads making it ideal for integrating communications.

Features Include:

- Aramid Mix Construction for a Lightweight Traditional Style Shell
- Ear Cups & Ear Pads to Give Driver Quieter Environment, Hear What You Need to Hear
- Plush Fire Retardant Interior Removable to Wash, Replace or Even Customize the Fit
- Z-20 Series 3mm Clear Shield with Posts at 12.25" Center Using Banana Style Tear Offs
- Air System Allows You to Run Natural Air, Forced Air or Air Plugs
- Hydration Hole/Plug On Sides of Chin Bar with Easy Setup
- Open Air Chin Bar Venting
- M6 Inserts for Head & Neck Restraints



White



Black

Part No.	Description
ZHRZ60W*	White (XS-2XL)
ZHRZ60B*	Black (S-2XL)
*specify size when ordering	
SPECIAL ORDER ONLY	

Helmet and Gear Bags



ZHHB2003



ZHHB003003



IR7200



ZHHB004003

Part No.	Description
ZHHB2003	Zamp Single Helmet Bag - Black/Grey
ZHHB003003	Zamp Three Helmet Bag - Black
IR7200	Impact Gear Bag
ZHHB004003	Zamp Helmet Bag with Fan



ZK-20 Karting Gloves

SFI 3.2A/1 Approved

Zamp's Newest Addition to Their Karting Line, the ZK-20 Kart Racing Gloves. Featuring a High-Quality Construction, an Elastic Closure, and a Thin Silicone Palm, these Lightweight Gloves are the Perfect Choice for Kart Racers.


Features:

- Pre-curved Fingers
- Leather Palm
- Elastic Band Closure
- Silicone Pads in Palm and Fingers for Grip



zamp GLOVES SIZING CHART

How to Measure:
Use a measuring tape wrapped around your hand behind the knuckles and inside thumb, not including thumb, keeping the tape snug. Measure both hands, fitting glove size to the larger measurement.



Glove Size	XS	S	M	L	XL	2XL	3XL
Hand Measurement (centimeters)	19	21	21.5	22.5	23.5	25.5	28
Hand Measurement (Inches)	7.5	8.25	8.5	8.9	9.25	10	11

Part No.	Description
ZHZK20KG*	Sizes XS-3XL
*specify size when ordering	



ZR-50 Race Gloves

SFI 3.3/5 Approved

The Zamp ZR-50 Race Glove is a Lightweight, 2 Layer Glove with a High Quality Reverse Seam.

Features:

- Reverse Seam Design for Ultimate Feel
- Elastic Band at Wrist
- Silicone Pads in Palm and Fingers
- Leather Palm
- Fire Retardant Interior



Red

Black



Blue

Gray

Part No.	Description
ZHZR50RGR*	Red (S-2XL)
ZHZR50RGB*	Black (XS-3XL)
ZHZR50RGL*	Blue (S-2XL)
ZHZR50RGG*	Gray (XS-3XL)

*specify size when ordering



ZR-50 Race Shoes

SFI 3.3/5 Approved



Black



Blue



Gray



Red



Neon Green



Neon Orange

The Zamp ZR-50 Race Shoe Features a High Quality, Multi-Layer Construction with an Elastic Enclosure and Thin Rubber Sole for Ultimate Pedal Feel, All in a Super Lightweight Shoe.

Features:

- Super Lightweight
- Flexible Construction
- Velcro Ankle Strap
- Tensioner on Laces to Prevent Shoes Coming Untied Mid Race
- Thin Rubber Sole for Ultimate Pedal Feel
- Plush Fire Retardant NMX Interior

Part No.	Description
ZHZR50RSB*	Black (1-18)
ZHZR50RSBL*	Blue (8-13)
ZHZR50RSG*	Gray (8-13)
ZHZR50RSR*	Red (8-13)
ZHZR50RSNO*	Neon Orange (8-13)
ZHZR50RSNG*	Neon Green (8-13)
*specify size when ordering	

ZAMP SHOE SIZING CHART

Zamp	1	2	3	4	5	6	7	8	9	10	11	12	13	14	15	16	17	18
US Men	1	2	3	4	5	6	7	8	9	10	11	12	13	14	15	16	17	18
US Women	3	4	5	6	7	8	9	10	11	12	13							
Euro Men	34	35	36	37	38	39	40	41	42	43	44	45	46	47	48	49	50	51
Euro Women	36	37	38	39	40	41	42	43	44	45	46							
Inches	7 1/8	8 1/8	8 3/8	8 7/8	9 1/8	9 3/8	9 7/8	10 1/8	10 3/8	10 7/8	11 1/8	11 3/8	11 7/8	12 1/8	12 3/8	12 7/8	13	13 1/8

Wide "W" Available in sizes 9 - 18
10% wider than our standard sizes



ZK-20 Karting Shoes

SFI 3.3/5 Approved

Zamp's Newest Addition to Their Karting Line, the ZK-20 Kart Racing Shoe. Featuring a High-Quality Multi-Layer Construction, a Velcro Closure with Tensioner on the Laces and Durable Ultra-Grip Rubber Sole, all in a Lightweight Shoe.



Features:

- Super Lightweight
- Breathable, Flexible Construction
- Lacing and Velcro Closure for Optimal Grip & Safety
- Tensioner on Laces to Prevent Shoes Coming Untied Mid Race
- Durable Ultra-Grip Rubber Sole with Top Performance for the Race Track

Part No.	Description
ZHZK20KS*	Sizes 1-13
*specify size when ordering	



ZR-10 Youth Race Suit

SFI 3.2A/1 Approved
Special Order Item

The Zamp ZR-10 Youth Racing Suit is a Lightweight, Stylish Suit at an Affordable Price. The Best Value on the Market Today, This SFI 3.2A/1 Suit is Made of Flame Retardant Cotton and Available in a Broad Range of Sizes.



Features:

- Single Layer, 100% Flame Retardant Cotton Construction
- Box Quilt Stitching
- Pockets on Each Leg and An Adjustable Belt
- Aramid Cuffs Around Ankles and Wrists for Comfort Fit
- Stylish Ankle Protection in Boot Cuff Legs
- Available in Black and Gray

Part No.	Description
ZHZR10B*	Black
ZHZR10W*	Gray
*specify size when ordering	

Special Order Items May Not Be Cancelled or Returned

ZAMP YOUTH SUIT SIZING CHART

SIZE	SM	M	L	XL
Sleeve Length	21	22	23	24
Chest (1" below armpits)	31	34	36	39
Shoulder Width	13	15	16	18
Waist	23	25	27	29
Center Back Length	17	18	18.5	18.5
Inseam	22	24	26	28
Zipper Length	21	22	23	23

ZAMP

SUIT SIZING CHART

USA	S	M	L	XL	XXL	XXXL	4XL	5XL
EURO	48-50	52-54	56-58	60-62	64-66	68-70	72-74	76-78
CHEST	40	43	46	50	53	57	60	63
WAIST	30	33	36	39	43	47	50	54
HIPS	38	41	45	48	51	55	58	61
INSEAM	30	31	32	33	33.5	34	35	36



ZK-40 Kart Suit

Special Order Item

The Zamp ZK-40 Race Suit was Built Specifically for Karting. It Delivers Lightweight, Abrasion Resistant Construction at an Affordable Price. Available for Youth and Adult Racers, it Features a Unique Angled Chest Zipper and Button Enclosure which Provides a Large Area on the Front of the Suit for Customizing.

Features:

- 2 Layer Lightweight Construction: 100% Polyester Shell with 100% Knitted Mesh Interior
- Angled Chest Zipper and Button Enclosure Allows Space for Customization.
- Stretch Panels Along Ribcage, Lower Back, Crotch, and Shoulders to Give Natural Fit and Unparalleled Flex Without Bunching
- Pockets on Each Leg
- Adjustable Belt
- Elastic Straight Arm and Leg Cuffs
- Quality Protection Which is Economical and Lightweight



Part No.	Description
Black/Silver Suit	
ZHZK40BS*	Adult (S-2XL)
ZHZK40YBS*	Youth (S-XL)
Red/Black Suit	
ZHZK40RB*	Adult (S-2XL)
ZHZK40YRB*	Youth (S-XL)
Blue/Black Suit	
ZHZK40BB*	Adult (S-2XL)
ZHZK40YBB*	Youth (S-XL)
*specify size when ordering	



Z-25 Dirt Jacket

The Zamp Z-25 Dirt Jacket is Designed Specifically for Karting with a Lightweight Abrasion-Resistant Construction and Heat Guards Along the Back of the Arms and Shoulders for Added Protection.



Features:

- 2-Layer Lightweight Construction: 100% Polyester Shell with 100% Knitted Mesh Interior
- Abrasion Resistant Material
- Suede Leather Heat Guard on Back of Both Arms and Around Shoulders for Added Protection
- Shoulder Flex Panels Allow for Fully-Floating 360° Shoulder Rotation
- Elastic Straight Arm Cuffs
- Quality Protection
- Angled Stitching for Attractive Design

For Jacket Sizing use the suit sizing charts

Part No.	Description
ZHZ25DJ*	Adult (S-2XL)
ZHZ25DJY*	Youth (S-XL)
*specify size when ordering Refer to Zamp Suit Sizing Chart for Sizing	

ZAMP YOUTH SUIT SIZING CHART

SIZE	SM	M	L	XL
Sleeve Length	21	22	23	24
Chest (1" below armpits)	31	34	36	39
Shoulder Width	13	15	16	18
Waist	23	25	27	29
Center Back Length	17	18	18.3	18.5
Inseam	22	24	26	28
Zipper Length	21	22	23	23

ZAMP SUIT SIZING CHART

USA	S	M	L	XL	XXL	XXXL	4XL	5XL
EURO	48-50	52-54	56-58	60-62	64-66	68-70	72-74	76-78
CHEST	40	43	46	50	53	57	60	63
WAIST	30	33	36	39	43	47	50	54
HIPS	38	41	45	48	51	55	58	61
INSEAM	30	31	32	33	33.5	34	35	36

Kart Cover



Part No.	Description
RWSC	Sprint Cover



Karting Jackets

700 Series



Features:

- Suede Heat Resistant Elbow/Forearm Patch
- Durable Abrasion Resistant Polyester Construction
- Cool, Lightweight Mesh Interior
- Pre-Curved Arms
- Front Pockets
- Black with Silver Reflective Trim

Part No.	Description
RW700*	Youth Racing Jacket
RW701*	Adult Racing Jacket
*specify size when ordering youth sizes XS-XL, Adult Sizes S-3XL	

Adult Size Chart

Size	Chest
Small	34" - 36"
Medium	38" - 40"
Large	42" - 44"
X-Large	46" - 48"
XX-Large	50" - 52"

800 Series



Features:

- 2 piece sleeve for a roomier, sturdier jacket
- cuffed sleeve for comfort
- suede elbow and under arm protection

Part No.	Description
RW800*	Youth Racing Jacket
RW801*	Adult Racing Jacket
*specify size when ordering youth sizes XS-XL, Adult Sizes S-3XL	

Youth Size Chart

Size	Chest
Small	26" - 28"
Medium	28" - 30"
Large	30" - 32"
X-Large	32" - 34"

600 Series



CLOSEOUT - Quantities limited to remaining stock.

Part No.	Description
RW600*	Youth Racing Jacket
RW601*	Adult Racing Jacket
*specify size when ordering youth sizes XS-XL, Adult Sizes S-2XL	



Karting Gloves

200 Series Glove

The Kart Racewear 200 Series Glove features a longer cuff with Velcro closing strap and a padded palm that is just the right thickness.



Part No.	Description
LE200*	Adult (XS-XL)
LE200C*	Youth (XS-L)
*specify size when ordering	

300 Series Glove

All New Super Lightweight Karting Glove constructed with reverse seams for comfort. Padded fingers and palms provide easy grip and a longer cuff comes to completely cover wrist area.



Part No.	Description
LE300*	Adult (XS-XL)
LE300C*	Youth (XS-L)
*specify size when ordering	

500 Series Glove

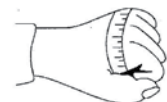
CLOSEOUT - Limited to quantities of sizes in stock.



Part No.	Description
LE500*	Adult
LE500C*	Youth
*specify size when ordering	

Glove Sizing Chart

Glove Sizing - Measure largest part of hand over knuckles while making a fist, excluding thumb



Adult Sizing

Size	Dimensions
X-Small	6" - 7 ½"
Small	7" - 8 ½"
Medium	8" - 9 ½"
Large	9" - 10 ½"
X-Large	10" - 11 ½"

Youth Sizing

Size	Dimensions
Small	5" - 6"
Medium	5" - 6 ½"
Large	6" - 7 ½"



Helmet Supports

360° Helmet Support



Part No.	Description
RW100	Youth
RWNCB	Adult
only available in black	



Wedge Helmet Support

Part No.	Description
Youth	
RW200	Black
RW202	Blue
youth red no longer available	
Adult	
RW500	Black
RW501	Red
RW502	Blue

Low Profile Neck Collar



Part No.	Description
RW300A	Adult
RW300	Youth
only available in black	

Impact Helmet Support



Part No.	Description
IR74510	Adult
only available in black	



Zamp Race Neck Collar

Part No.	Description
ZHNC1003A	Adult
ZHN1003Y	Youth



EVS Race Collars

R2 Race Collar

The R2 Race Collar is a lightweight, cost effective neck collar that protects against neck and collarbone injuries.

Features:

- Low Profile Design
- Easy Front Entry System
- Removable, Washable Liner

Part No.	Description
EV218A	Adult
EV218Y	Youth



R4 Race Collar

The R4 Race Collar is a lightweight, form fitting race collar offering protection against neck and collarbone injuries. The low profile design makes it a comfortable, yet protective piece of gear you can wear on the track.

Features:

- Hard Molded Upper Surface Disperes Energy to PU Core
- Hi-Tensile Closed Cell PU Core Absorbs Impact Energy
- Bio-Foam Liner Provides Extra Impact Absorption
- Rapid Lock Closure System for Easy Front Entry
- Adjustable Rear Strut for Customized Fit

Part No.	Description
EV209	Adult
EV210	Youth





Chest Protectors

SFI Certified



Tested under the SFI 20.1 Certifications, the Ribtect Chest Protector meets the requirements for chest protectors in 12 and under classes for most karting series. Designed for maximum protection it is constructed with 2 layers of vacuum formed polypropylene plastic. Even with the heavy duty buckles it is a lightweight, non-bulky comfortable fit for young drivers.

Part No.	Description
SM1	ages 5-8
SM2	ages 9-12

Rib Vests

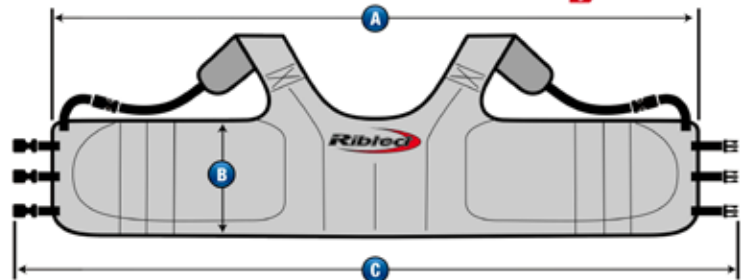
for Youth and Adult



A very common driver injury is the impact of ribs on the edge of a seat after the driver comes up out of the seat and is then pulled to one side by the centrifugal force. This impact can break, separate or severely bruise one or many ribs. The design of the Ribtect Vest since construction of the very first is to provide protection for the driver on reentry to the seat; effectively guiding the driver back in the right position. The Ribtect 4 Vest, the latest design, boasts improved protection while lasting longer than any of its predecessors. A new and high tech material used to construct the outer panels has been "hammer" tested and track tested to ensure superior protection.

sizing chart

SIZE	C*	A	B	IDEAL**
28	23"	20"	7¼"	25 - 26"
30	25½"	22½"	7¼"	27½ - 28½"
32	27½"	24½"	7¼"	29½ - 30½"
34	29"	26"	7½"	31 - 32"
36	31"	28"	7¾"	33 - 34"
38	33"	30"	7¾"	35 - 36"
40	35½"	32½"	9"	37½ - 38½"
42	37½"	34½"	9"	39½ - 40½"
44	39½"	35½"	9"	41½ - 42½"
46	41"	38"	9"	43 - 44"
48	44½"	41½"	10"	46½ - 47½"
50	46"	43"	10"	48 - 49"



Adult Sizes

Part No.	Description
RTV436	Adult S
RTV438	Adult SM
RTV440	Adult M
RTV442	Adult ML
RTV444	Adult L
RTV446	Adult XL
RTV448	Adult XXL
RTV450	Adult XXXL

Youth Sizes

Part No.	Description
RTV428	Child XS
RTV430	Child S
RTV432	Child M
RTV434	Child L



Arm Restraints

SFI 3.3 Certified

Meeting the SFI 3.3 standard, our Arm Restraints comfortably keep arms restrained inside your open cockpit vehicle with padded arm straps and the easy mounting strap allows you to connect or disconnect from your race car.



Part No.	Description
ZHRU005003	SFI 3.3 Arm Restraints



Head & Neck Restraints

Z-Tech Series 2A

SFI 38.1 Certified

Zamp's Series 2A Head and Neck Restraint allows the racer to custom fit the device to their own body, shape, size and race seat

- Features:
 - Advanced Axis Adjustment , adjust shoulder width, arm angle and arm width
 - Super Lightweight weighing approximately 900 grams
 - Extremely Comfortable, feels like you have nothing on
 - Dual Compound Frame constructed with a specialized fiberglass reinforced nylon.
 - Stainless Steel Hardware screws for high quality and long lasting strength
 - Kevlar Webbing Single Point Tether connects helmet to restraint and offers good side to side motion.
 - Ver.02 Spring Clip Quick Connect makes it even easier to disconnect device from the helmet
 - Belt Channel with Wings, accepts 2" or 3" belts
 - Replaceable Padding easy to clean and/or replace
 - Hardware to connect to helmet included

Part No.	Description
ZHNT002003	Z-Tech Seris 2A Head & Neck Restraint



Color is Black and Gray

Belt & Arm Restraints

2" WQM/Jr. Drag Belts Latch Link



IR661

- Includes:
- QSR Adjusters
 - Bolt-In Ends
 - Three Bar for Wrap

2" QM/Jr. Drag Belts Cam Lock



IR661C

QSR Adjusters on Shoulder Belts

3" Latch & Link Belts



IR111

Arm Restraints



IR75910

Padded arm bands with webbed leashes & 2 adjustments. Meets SFI Requirements

Part No.	Description
IR661	2" QM/Jr. Drag Belts, Latch & Link
IR661C	2" QM/Jr. Drag Belts, Cam Lock
IR111	3" Latch & Link Belts
IR75910	Arm Restraints

Helmet Support Strap & D-Ring



KM1004

IR011

Part No.	Description
KM1004	Helmet Support Strap
IR011	Helmet D-Ring



Seat Harnesses

6 Point Harness with 2" Belts

Zamp's 6 Point Seat Harness is SFI 16.1 certified. It features 2" adjustable (pull-up/pull-in) polyester belts, latch lock system, and durable steel hardware.



Part No.	Description
ZHHARN02S003	6 Point Harness w/ 2" Belts

5 Point Youth Harness with 2" Belts

Zamp's 5 Point Youth Seat Harness is SFI 16.2 certified. It features 2" adjustable (pull-up/pull-in) polyester belts, latch lock system, and durable steel hardware.

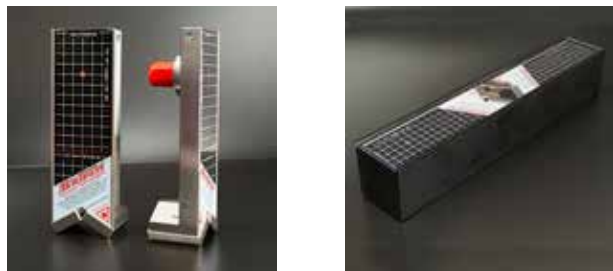


Part No.	Description
ZHHARN08S003	5 Point Youth Harness w/ 2" Belts



Alignment Tools

V2 Alignment Gauge Set



The most Advanced, Accurate, and Safest Laser Alignment System for Karting in the World.

The V2 Laser Alignment System is a 2 laser system which allows you to set Camber and Toe on your kart either while on the stand or while sitting on the ground with a driver in it. Suitable to all kart racers in can fit on spindles up to 63mm and gives you the ability to measure up to 24mm of negative Camber. The Sniper V2 is made from a Stainless Steel Construction. To provide long term reliability and consistent high accuracy the unit is attached through hardened SST (55HRC) contact surfaces combined with pot magnet theory. The face of the unit has been optimized to reduce any glare and offer ultimate clarity. Comes with purpose made box for protection.

Part No.	Description
SNV2	Alignment Gauge Set

Sprocket Alignment Tool



SA Inox Sprocket Aligner, allows you more precise alignment of chain and sprocket. Better alignment increases the life of a chain and sprocket and decreases drag. Made for #316 Stainless Steel and fits #219 and #35 Chain Sprockets.

Part No.	Description
SNSA	Sprocket Alignment Tool

KPI 4L Gauge Set

Useful to Chassis Manufacturers, Dealers, and Race Teams which have the ability to straighten chassis. Not for the Standard End User



The Sniper KPI Gauge is for Manufacturers, Dealers and Race Teams which have the ability to straighten chassis. Attach it directly to the frame in place of the spindles. There are 2 lasers which will shoot across the chassis, 1 across the front and one to the rear allowing you to check for chassis irregularities in the chassis at the spindle, at the rear or even twisted in the middle. It comes with a 22mm pin.

Part No.	Description
SNKPI4L	KPI 4L Gauge Set

MyChron 5s Gauge

Gauges



Part No.	Description
MYC5S1TE	1 Temp Gauge, EGT
MYC5S1TH	1 Temp Gauge, H ₂ O
MYC5S1TL ¹	1 Temp Gauge, CHT
MYC5S1TS ²	1 Temp Gauge, CHT
MYC5S2TCE	2 Temp Gauge, CHT & EGT
MYC5S2TWE	2 Temp Gauge, H ₂ O & EGT
¹ comes with long sensor	
² comes with short sensor & patch cable	



Power Accessories

Part No.	Description
MYC512VBC	12V Battery Charger Block
MYC5BAT	Battery
MYC5BCK	Battery Charger Kit
MYC5EPC	External Power Cable
MYC5KBC	Battery Cover
MYCBATM5	Battery Charger Block
all for MyChron 5 and 5s Gauges	



MYC512VBC



MYC5BAT



MYC5BCK



MYC5EPC



MYC5KBC



MYCBATM5

SmartyCam 3 Sport

SPECIAL ORDER ONLY

More than an action camera, The SmartyCam 3 Sport provides data and video in the same MP4 file. Import video from the SmartyCam and data from your aim logger (i.e. MyChron 5s) and the Race Studio 3 Software will automatically synchronize them: position on track, video frame, and data on the graph. All will be perfectly correlated.



Part No.	Description
MYCSMCAM3SPORT	SmartyCam 3 Sport Camera

Leads and Patch Cables



MYCHT110

MYCHT114



MYCHTP10

MYCHTP14



MYCEGT90



MYCEGTM5



MYCWTC



MYCWTM10



MYCWTM5



MYCWTM6



MYCPC1T



MYCPC2T



MYCPC2TW



MYCPCWT



MYCRMBLE



MYCRPMC



MYCOLR

Part No.	Description
MYCHT110	Head temp sensor 10mm, 1 pc
MYCHT114	Head temp sensor 14mm, 1pc
MYCHTP10	Head Temp Sensor 10mm ¹
MYCHTP14	Head Temp Sensor 14mm ¹
MYCEGT90	EGT Thermocouple 90 degree
MYCEGTM5	EGT Thermocouple M5
MYCWTC	Water Temp Inline Coupler
MYCWTM10	H ₂ O Thermoresistive M10, Rotax
MYCWTM5	H ₂ O Thermoresistive M5
MYCWTM6	H ₂ O Thermocouple M6, ROK
MYCPC1T	1T Patch Cable ²
MYCPC2T	2T Patch Cable ² (EGT/CHT)
MYCPC2TW	Patch Cable ² (EGT/H ₂ O)
MYCPCWT	Patch Cable, Water Temp
MYCRPMBLE	RPM Cable
MYCRPMC	RPM Cable Clip
MYCOLR	Optical Lap Receiver
¹ for use with patch cable	
² for use with 4/5	

Economy Chain



#35 Economy Chain

Part No.	Description
ET35X3FT	3 ft. Roll
ET35X4FT	4 ft. Roll
ET35X10FT	10 ft. Roll
ET35X50FT	50 ft. Roll
ET35CL	Master Link



#40 Economy Chain

Part No.	Description
SC40X10FT	10 ft. Roll
SC40X25FT	25 ft. Roll
SC40CL	Master Link
SC40OS	Offset Link



#41 Economy Chain

Part No.	Description
ET41X4FT	4 ft. Roll
SC41X10FT	10 ft. Roll
SC41X25FT	25 ft. Roll
SC41CL	Master Link
SC41OS	Offset Link

#35 Chain Economy Sprockets



4 5/8" Pilot Hole

Part No.	Description
AE2152	60T Sprocket
AE2158	72T Sprocket



Riveted Drum & Sprocket

Part No.	Description
AE2217	60T Drum & Sprocket
AE2218	72T Drum & Sprocket



1 3/8" Pilot Hole

Part No.	Description
KM1073	60T Sprocket
KM1074	72T Sprocket

#40 Chain Split Sprockets



5 1/4" Bolt Pattern Aluminum Sprocket

Part No.	Description	Available In
AET*	#40 Split Sprocket	48T - 66T

*specify tooth size when ordering



EK Chain Combines the Qualities Of:

- **High Tensile Strength**
- **Low Wear**
- **Impact Resistance**
- **Anti-Kinking**

...into The Best kart Racing Chain Available



#35 Chain



#219 Chain



#35 Standard Chain

Part No.	Description	Length
DA35T106	EK #35 Standard Chain - 106 links	40"
DA35T120	EK #35 Standard Chain - 120 links	45"
DA35T10FT	EK #35 Standard Chain - 320 links	10 ft.
DA35T100FT	EK #35 Standard Chain - 3200 links	100 ft.
DA35TCL	EK #35 Standard Chain Master Link	

#219 Standard Chain

Part No.	Description
DAEK219114	EK #219 Standard Chain - 114 links
DAEK21910FT	EK #219 Standard Chain - 10 ft.
DAEK219CL	EK #219 Standard Chain Master Link

#35 Silver Pro Chain

Part No.	Description	Length
DA35S106	EK #35 Silver Pro Chain - 106 links	40"
DA35S120	EK #35 Silver Pro Chain - 120 links	45"
DA35S10FT	EK #35 Silver Pro Chain - 320 links	10 ft.
DA35S100FT	EK #35 Silver Pro Chain - 3200 links	100 ft
DA35SCL	EK 35 Silver Pro Chain Master Link	

#219 Silver Pro Chain

Part No.	Description
DAEK219114S	EK #219 Silver Pro Chain - 114 links
DAEK21910FTS	EK #219 Silver Pro Chain - 10 ft.
DAEK219SCL	EK #219 Silver Pro Chain Master Link

#35 High Tensile Chain

Part No.	Description	Length
DA35HT106	EK #35 High Tensile Chain - 106 links	40"
D35HT120	EK #35 High Tensile Chain - 120 links	45"
DA35HT10FT	EK #35 High Tensile Chain - 320 links	10 ft.
DA35HT100FT	EK #35 High Tensile Chain - 3200 links	100 ft.
DA35HTCL	EK #35 High Tensile Master Link	



#40 Chain

Part No.	Description
DA40SH10FT	EK #40 Chain (10 ft. Roll)
DA40SHCL	Master Link

Chain Tools



KMCTM



KM219CT



KM428CT

Replacement Pins



KMPPM

KMPP219

KM428PP

Part No.	Description
KMCTM	#35 Chain Tool
KM219CT	#219 Chain Tool
KM428CT*	#428 Chain Tool
*for #40/41 Chain use KM428CT	

Part No.	Description
KMPPM	#35 Tool Pin
KMPP219	#219 Tool Pin
KM428PP	#428 Tool Pin

Chain Lube



Formulated to Provide the Maximum Level of Lubrication and Wear Protection.

Part No.	Description
KL500	Chain Case Lube, 12oz. Bottle
KL605	Chain Lube, 15.5 oz Aerosol
KL611	KLR Chain Lube, 16 oz. Aerosol



It's light viscosity allows for deep penetration into hard to reach moving parts.

Part No.	Description
TF12	12 oz. Aerosol Can
sold individually, 1 case is 12 cans	

Sprocket Holders



KMSH12



KMSH24



PPSH1PC

Part No.	Description
KMSH12	12 slot
KMSH24	24 slot
PPSH1PC	1 Piece Sprocket Carrier

Chain Covers



KM224/KM224T

KM222

GPG1227



KM221

AE1809

AE1810

Part No.	Description
KM224	5" Clone Chain Cover
KM224T	7" Clone Chain Cover
KM222	Deluxe Aluminum Chain Cover
GPG1227	Steel Chain Cover
KM221	Steel Chain Cover
AE1809	Briggs Flat Head Chain Cover
AE1810	Universal Chain Cover

Chain Cover Bolt Kit



Part No.	Description
VK147	SAE Kit
VK149	Metric Kit

Clutch Cover



Part No.	Description
KM223	Clutch Cover
KM223D	Replacement Dzus

Sprocket Guards



PP8/PP9

PPSG8/PPSG9

KM1070



KM1081

PP208/PP209

Part No.	Description	To Fit
Aluminum		
PP8 ¹	8" Guard	59T - 65T
PP9 ¹	9" Guard	66T - 71T
PPSG8	8" Guard	53T - 64T
PPSG9	9" Guard	65T - 68T
KM1070	9" Guard	up to 71T
Plastic		
KM1081 ¹	9" Sprocket Guard	up to 71T
PP208 ¹	8" 2 Piece Guard	53T - 64T
PP209 ¹	9" 2 Piece Guard	65T - 68T
*hardware NOT Included		

Pit Parts Sprocket Hubs



Standard - Plain



Standard - Black



Lightweight Aluminum

Part No.	Description
PPH1	1" Standard Hub
PPH114	1 1/4" Standard Hub

Part No.	Description
KM125	1 1/4" Standard Hub
KM125L	1 1/4" Ultralight Hub
KM125F	1 1/4" Floating Hub

Part No.	Description
PPH1B	1" Standard Hub
PPH114B	1 1/4" Standard Hub

Sprocket Hub Bolt Kits

1" Sprocket Hub



VKM6BK



VK325



Part No.	Description
VKM6BK	Metric Sprocket Hub Bolt Kit
VK325	Sprocket Hub Bolt Kit

Part No.	Description
AE1859	1" Mini Hub

Pit Parts Sprockets



New T6 #219 Metal Sprocket



Pit Parts new 7075-T6 Aluminum metal gear is more durable and has a longer run life. This 1 piece sprocket is available only for #219 chain in sizes 64T - 90T.

Part No.	Description	Available In
PPT6219*	#219 Chain T6 Solid	64T - 90T
*specify tooth size when ordering		

#35 Chain & #219 Chain Metal Sprockets

Pit Parts anodized sprockets are made from a high quality alloy compound that guarantees durability. The precision cut tooth design reduces friction at high speeds resulting in smooth chain run and high output.



#35 2 Piece

#219 2 Piece

#219 Chain 1 Piece

Part No.	Description	Available In
PP*	#35 Chain Split	53T - 78T
PP219*	#219 Chain Split	65T - 93T
PP219B*	#219 Chain Solid	65T - 94T
*specify tooth size when ordering		

Chain Tools



KMCTM

KM219CT

KM428CT

Replacement Pins



KMPPM

KMPP219

KM428PP

Part No.	Description
KMCTM	#35 Chain Tool
KM219CT	#219 Chain Tool
KM428CT*	#428 Chain Tool
*for #40/41 Chain use KM428CT	

Part No.	Description
KMPPM	#35 Tool Pin
KMPP219	#219 Tool Pin
KM428PP	#428 Tool Pin



M-Series Kart Wheels

The M-Series Karting Wheels have redefined magnesium wheel technology. Portion-Form Technology is applied to a high pressure magnesium cast process creating an incredibly strong, light-weight wheel that enables you to manage heat, tire wear, grip and handling.



Low Volume

Features:

- Stainless Steel Bead Screws
- High Quality Valve Stems
- Magnesium Alloy with High Impact Strength
- Designed for Easier Tire Mounting
- FIA/CIK Required Lock Nuts & Instructions Included



Vented

Front Wheels - 3/58 Metric

Part No.	Description	Type	B/Space
DW5130LV	5 x 130mm (5.1")	Low Volume	43mm
DW5130V	5 x 130mm (5.1")	Vented	43mm
DW5132LV	5 x 132mm (5.2")	Low Volume	44mm

Rear Wheels - 3/58 Metric

Part No.	Description	Type	B/Space
DW5180LV	5 x 180mm (5.1")	Low Volume	58mm
DW5210V	5 x 210mm (8.25")	Vented	58mm
DW5212LV	5 x 212mm (8.35mm)	Low Volume	59mm

Bead Lock Kits



DW75291



DW75026



DW75030

Wheel Nuts



DW75246

AP1428



AP51624



AP142812

Part No.	Description
DW75291	5mm Bead Lock Kit, 12 pc
DW75026	5 MM Bead Lock Kit, 3pc
DW75030	Replacement O-Rings (12pc)
DW75246	CIK Nut & Washer Kit, 12pc
AP1428	1/4" - 28 Wheel Nut
AP51624	5/16" - 24 Wheel Nut
AP142812	1/4" - 28 Flange Nut, 1/2" Head



AlumiLite Kart Wheels

6" Wheels

US Pattern - Polished

Part No.	Width	Inside	Outside
DW70604	5"	2.5"	2.5"
DW70612	5.5"	2.5"	3"
DW70605	6"	2.5"	3.5"
DW70630	6"	4"	2"
DW70603	6.5"	2.5"	4"
DW70610	7.25"	2.5"	4.75"
DW70602	7.75"	2.5"	5.25"
DW70608	8"	4"	4"
DW70621B	9.25"	4"	5.25"
DW70622B	9"	4"	5"
DW70623B	8.75"	3.5"	5.25"
DW70624B	8.5"	3.5"	5"
DW70625B	8.25"	3"	5.25"
DW70629B	10"	4"	6"
DW70638B	9.5"	4.75"	4.75"
DW70640B	8.5"	4"	4.5"

5" Wheels

US Pattern - Polished

Part No.	Width	Inside	Outside
DW70521	4.5"	2.5"	2"
DW70514	5"	2.5"	2.5"
DW70517	5"	2"	3"
DW70510	5.125"	1.625"	3.5"
DW70518	5.5"	2"	3.5"
DW70519	5.5"	3"	2.5"
DW70513	6"	2.5"	3.5"
DW70512	6.5"	2.5"	4"
DW70528	6.5"	3.25"	3.25"
DW70522	7.25"	2.5"	4.75"
DW70524	7.5"	3.5"	4"
DW70511	7.75"	2.5"	5.25"
DW70530	8.25"	3.5"	4.75"



5" Wheels With 3/8 Metric Pattern

5" Wheels

3/8 Metric Pattern

Part No.	Width	Inside	Outside	Color
DW72527 ¹	3.25"	1.625"	1.625"	Polished
DW72510	5.125"	1.625"	3.5"	Polished
DW72511	7.75"	2.5"	5.25"	Polished
DW72512	6.5"	2.5"	4"	Polished
DW72517 ¹	4"	2"	2"	Polished
DW725279 ¹	3.25"	1.625"	1.625"	Black
DW725139 ¹	4.625"	1.625"	3"	Black
DW725109	5.125"	1.625"	3.5"	Black
DW725119	7.75"	2.5"	5.25"	Black
DW725129	6.5"	2.5"	4"	Black
DW725179 ¹	4"	2"	2"	Black
DW725379 ¹	4.5"	2.5"	2"	Black

¹special order only

Wheel Weights



Part No.	Description
AE1820	Stick-On Wheel Weights
sold as pack of 12	

Swift Magnesium Kart Wheels

The Low Volume (LV) Wheel is designed to reduce the gas volume inflating the tire allowing a lower initial tire pressure and promoting lower final tire temperatures. LV Wheels have thinner larger diameter walls, improving heat transfer rates and giving more cooling surface area. This extra cooling capacity helps stabilize and regulate temperature and pressure rise, for better and longer tire temperatures.

Features:

- Stainless Steel Bead Screws
- High Quality Valve Stems
- Magnesium Alloy with Higher Impact Strength



Front Wheels - Metric

Part No.	Description	Type	B/Space
SMGB13058LV	5 x 130mm (5.1") 3/58	LV	43mm

Rear Wheels - 3/58 Metric

Part No.	Description	Type	B/Space
SMGB18058LV	5 x 180mm (7.1")	LV	58mm
SMGB21258LV	5 x 212mm (8.35")	LV	59mm

Swift Magnesium new (LV) Low Volume Wheel provides for performance similar to the OTK MXC wheel.

Part No.	Description	Type
SMGB13058KLS	5 x 130mm 3/58	LV
SMGB21458KLS	5 x 214mm 3/58	LV



Tire Carrier



Part No.	Description
PPTC	Pit Parts Tire Carrier

Tire Tools & Carriers

Tire Mount/Dismount Tool



PP112/PP113



PP114



PP115/PP116



PP117

Part No.	Description
PP112	5" Tire Mount/Dismount Tool
PP113	6" Tire Mount/Dismount Tool
PP114	Replacement Pin
PP115	Replacement Disc - 5"
PP116	Replacement Disc - 6"
PP117	Replacement Plastic for Tool

Bead Breakers



RLV0028



PP802

Part No.	Description
RLV0028	RLV Bead Breaker
PP802	Pit Parts Bead Breaker

Wheel Bolts & Kits



VK366



VK324



VK393



VK368



AP516BK



VK405

Part No.	Description
VK366	1/4" Self Start Wheel Bolt, 1 pcs.
VK324	1/4" Wheel Bolt Kit, 6 pcs.
VK393	1/4" Self Start Wheel Bolt Kit, 12 pcs.
VK368	5/16" Self Start Wheel Bolt, 1 pcs.
AP516BK	5/16" Wheel Bolt Kit, 6 pcs.
VK405	5/16" Self Start Wheel Bolt Kit, 12 pcs.



Tire Gauges



Basic



Basic Digital



Deluxe



Durometer



Basic Tire Gauge

Does Not Hold Air Pressure

Features:

- 2" Glow-In-The-Dark-Face
- High Accuracy & Easy Readability
- Internal Gauge Damper for More Accurate Readings
- Flexible 14" Hose with Angle Chuck
- Includes Ball Chuck

Part No.	Description
LA15	0-15 lbs
LA30	0-30 lbs

Basic Digital Tire Gauge

Features:

- 2" Face with Large Numbers
- Reads to .2 psi with .8% accuracy
- Air Pressure Release Button
- Hi-Flex 14" Hose with Angle Chuck
- Includes Ball Chuck
- Digital Read Out

Part No.	Description
LA52033	0-15 lbs
LA52023	0-30 lbs

Deluxe Tire Gauge

Features:

- 2 1/2" Glow-In-The-Dark-Face
- High Accuracy & Readability
- High Flow Release Button & Swivel Chuck
- Holds Pressure Until Released
- Internal Gauge Damper for More Accurate Readings
- Flexible 17" Hose

Part No.	Description
LA52033	0-15 lbs
LA52023	0-30 lbs

Basic Durometer

Features:

- Reads from 0-100 points
- Comes with Red Case

Part No.	Description
LA50553	Tire Durometer



Azusa Wheels

Aluminum Wheels

Azusalite Wheels



Part No.	Description
AE1057	5" Front Wheel (5/8" Bearing)
AE1067	5" Rear Wheel (3/4" to 1" Step)

Part No.	Description
AE1125	6" Front Wheel (5/8" Bearing)
AE1117	6" Rear Wheel (3/4" to 1" Step)
AE1144	5" Front Wheel (5/8" Bearing)
AE1147	5" Rear Wheel (3/4" to 1" Step)

Yard Kart Tires & Tubes



Part No.	Description
ET4105K	5" x 410/350 Knobby Tire
CT7107	410/350 - 4" Tube
CT7112	410/350 - 5" Tube
CT7117	410/350 - 6" Tube

DWT ATV Wheels



DW00531
BLACK LABEL

DW00530
RED LABEL

Part No.	Width	Inside	Outside	Diameter
DW00530	8"	3"	5"	8"
DW00531	6"	3"	3"	8"

Wheel Hubs

Wheel hubs come complete with 1/4" hardware and are drilled and tapped for both 1/4" and 5/16" bolts. Front wheel hubs include 5/8" bearings.



PREF

PREFB

PREF34B



PRER1

PRER1B

PRER114



PRER114B

PRER114EXB

Part No.	Description
PREF ¹	5/8" Plain Front Wheel Hub
PREFB ¹	5/8" Black Front Wheel Hub
PREF34B ¹	5/8" - 3/4" Black Front Wheel Hub
PRER1 ¹	1" Plain Rear Wheel Hub
PRER1B ¹	1" Black Rear Wheel Hub
PRER114 ¹	1 1/4" Plain Rear Wheel Hub
PRER114B ¹	1 1/4" Black Rear Wheel Hub
PRER114EXB ¹	1 1/4" Extended Black Rear Wheel Hub
¹ includes hardware	

Valve Stems



IP412

KMVC

Wheel Bolts & Kits



VK366

VK324

VK393



VK368

AP516BK

VK405

Part No.	Description
IP412	1" Short Valve Stem
KMVC	Valve Caps (pack of 25)

Part No.	Description
VK366	1/4" Self Start Wheel Bolt, 1 pcs.
VK324	1/4" Wheel Bolt Kit, 6 pcs.
VK393	1/4" Self Start Wheel Bolt Kit, 12 pcs.
VK368	5/16" Self Start Wheel Bolt, 1 pcs.
AP516BK	5/16" Wheel Bolt Kit, 6 pcs.
VK405	5/16" Self Start Wheel Bolt Kit, 12 pcs.

Spindle/King Pin Bearings



KM216 KM299 KM300 KM304



KM306 KM308 KM314

Part No.	ID	OD	Width
KM216	3/8" (.375")	7/8" (.875")	.281"
KM299	1/2" (.5")	1 1/8" (1.125)	.3125"
KM300	7/16" (.4375")	1 1/8" (1.125")	.375"
KM304	1/2" (.5")	1 1/8" (1.125")	.375"
KM306	8mm	22mm	7mm
KM308	10mm	22mm	6mm
KM314	10mm	26mm	8mm

Front Spindles



AE2235

AE2236

AE8171

Part No.	Description
AE2235	Left Hand Spindle & Bracket
AE2236	Right Hand Spindle & Bracket
AE8171	Bracket Only

Wheel Bearings



MM1030

MM1072

KM310

KM312



KM305

KM307

KM313

KM317

Part No.	ID	OD
MM1030 ¹	5/8"	1 3/8"
MM1072	5/8"	1 3/8"
KM310	3/4"	1 1/8"
KM312	15mm	35mm
KM305	17mm	35mm
KM307	25mm	37mm
KM313	25mm	42mm
KM317 ²	25mm	47mm

¹ snap ring with bearing
² 12mm wide, fits Tony Kart

Aluminum Spindle Spacers



Part No.	Description
KM198	17mm x 5mm
KM198B	17mm x 5mm, black
KM199	17mm x 10mm
KM199B	17mm x 10mm, black
KM201	25mm x 5mm, black
KM202	25mm x 10mm, black
KM204B	5/8" x 1/8", black
KM205	5/8" x 1/4"
KM205B	5/8" x 1/4", black
KM206	5/8" x 1/2"
KM206B	5/8" x 1/2", black
KM207B	3/4" x 1/2", black
KM208B	3/4" x 1/4", black

Axles



Part No.	Description	length
AE8121	Standard End	38"
AE8122	Short End	40"
AE8123	Flexproof (w/snap ring)	40"
AE8150	Flexproof	40"

Spindle Nut

5/8" 18 Slotted Spindle Nut



KM5818

KM988

Part No.	Description
KM5818	Individual Spindle Nut
KM988	2 Pack Spindle Nut

Keystock & Snap Ring



KMAK

KMSR114

Part No.	Description
KMAK ¹	Axle Keystock
KMSR114	Axle Snap Ring

¹sold in packs of 10

Axle Bearings

Part No.	Axle	OD
KMRA100	1"	2.04"
KM20720	1 1/4"	2.8"
KM20621	1 1/4"	2.44"
KM316	30mm	62mm
KM309 ¹	40mm	80mm
KM650	50mm	90mm
KM680	50mm	80mm
KM311	40mm	80mm

¹34mm overall width, 18mm race width
²40mm overall width, 21mm race width with (3 set screws)



Axle Cassettes



KMAC

**ONLY FITS BEARINGS WITH 2.44" OD.
i.e. KM20621**

Part No.	Description
KMAC	1 1/4" Axle Cassette

Bearing Hangers



AE8127



AE8130

1/4" Steel Plate, Pre-Drilled for 2 or 3 Hole Flanges

Part No.	Description
AE8127	1" Axle Hanger
AE8130	1 1/4" Axle Hanger

Bearing Flanges



KM52M2



KM52MM3T



KM62MM3T

Part No.	Description
KM52M2	1" Flange, 2 bolt
KM52MM3T	1" Flange, 3 bolt
KM62MM3T	1 1/4" Flange, 3 bolt

Tri-Flow



Part No.	Description
TF12	Tri-Flow 12oz Aerosol Can

sold individually, 1 case = 12 cans



MCP BRAKE SYSTEMS

Billet Brake Kit (Shim)

Complete Brake Kits

Master Cylinder & Parts

Part No.	Description
MCP151	Master Cylinder Rebuild Kit
MCP18875	Master Cylinder Assembly
MCP878	Top Cover O-Ring
MCP879	Filler Plug
MCP880	Cover Screw
MCP881	Cover Screw O-Ring
MCP882	Lever Arm
MCP883	Push Rod
MCP884	Lever Arm Pivot Pin
MCP885	Push Rod Pivot Pin
MCP886	Boot
MCP887	Piston with Seals
MCP888	Piston O-Ring
MCP889	Piston Cup Seal
MCP890	Snap Ring
MCP891	Master Cylinder Spring
MCP18877	Master Cylinder Top Cover
KMBF	Brass Fitting

Part No.	Description
MCP182100	Complete Brake Kit for 1" Axle (w/Shims)
MCP182250	Complete Brake Kit for 1 1/4" Axles (w/Shims)
MCP187250	Brake Kit - NO LINE OR FLUID for 1 1/4" Axle



MCP182100



MCP1375SEBW

Caliper & Parts

Part No.	Description
MCP152	Caliper Rebuild Kit
MCP181375	Caliper Assembly w/Shims
MCP1375SEBW	Single Line Caliper Assembly
MCP1378	Piston with Seals
MCP1379	Piston O-Ring
MCP1184	Shim for 181375
MCP113285	Pin
MCP1382	Bleed Screw Assembly
MCP13821	Bleed Screw Only
MCP13822	Bleed Screw Adaptor
KMBF	Brass Fitting
MCP555	Pad Screw
MCP556	Pad Screw Sleeve
MCP557	Spring



Brake Disc Hub

Part No.	Description
MCP100	1" Brake Disc Hub
MCP125	1 1/4" Brake Disc Hub

Brake Pads

Part No.	Description
MCP1383B	Black Brake Pad
MCP1383LN	Blue Brake Pad
MCP1383LNA	Green Brake Pad

Brake Disc

Part No.	Description
MCP711S	1/8" x 7.1" Super Slot Disc
MCP712	3/16" 7.1" Steel Slot Disc ¹
MCP713	1/4" x 7.1" Steel Slot Disc
MCP1775	1/4" x 7.75" Steel Slot Disc

¹included in Brake Kits

Complete Kits No Longer Available, Substitute Billet Brake Kits

Caliper Parts

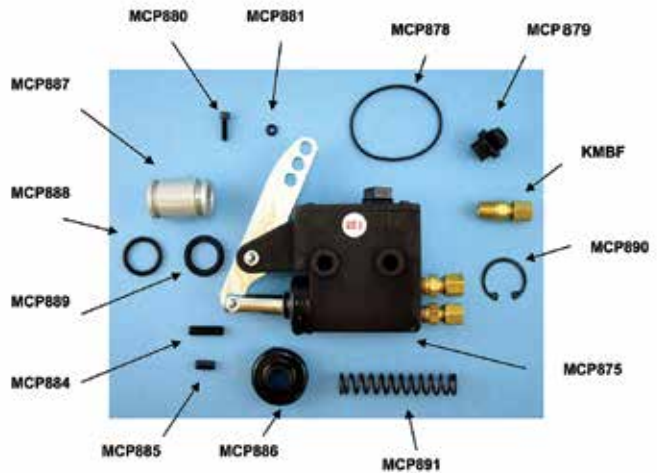
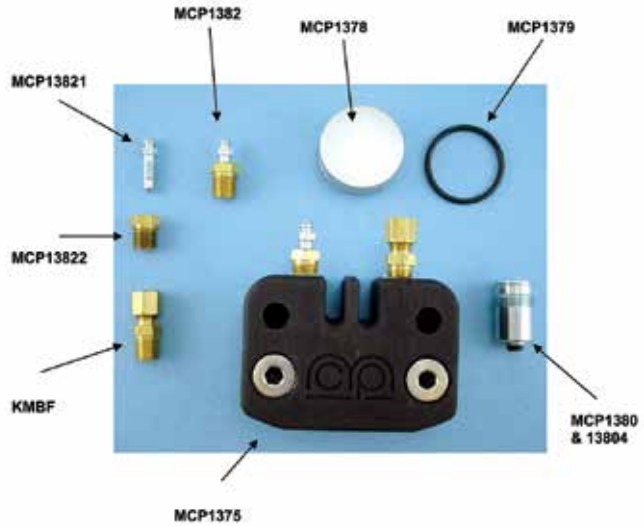
Part No.	Description
MCP152	Caliper Rebuild Kit
MCP1378	Piston with Seals
MCP1379	Piston O-Ring
MCP1380	Adjuster Assembly
MCP13804	Sleeve
MCP1381	Adjust Restraint O-Ring
MCP1382	Bleed Screw Assembly
MCP13821	Bleed Screw
MCP13822	Bleed Screw Adapter
KMBF	Brass Fitting

Unavailable Parts

Part No.	Description	Substitute
MCP1375	Caliper Assembly	MCP181375
MCP875	Master Cylinder Assembly	MCP18875
MCP1376	Caliper Half (Body Only)	NONE
MCP1377	Caliper Half (w/Pad)	NONE
MCP876	Master Cylinder Body Only	NONE

Master Cylinder Parts

Part No.	Description
MCP151	Master Cylinder Rebuild Kit
MCP877	Top Cover
MCP878	Top Cover O-Ring
MCP879	Filler Plug
MCP880	Cover Screw
MCP881	Cover Screw O-Ring
MCP882	Lever Arm
MCP883	Push Rod
MCP884	Lever Arm Pivot Pin
MCP885	Push Rod Pivot Pin
MCP886	Boot
MCP887	Piston with Seals
MCP888	Piston O-Ring
MCP889	Piston Cup Seal
MCP890	Snap Ring
MCP891	Spring
KMBF	Brass Fitting



Brake Disc

Part No.	Description
MCP711S	1/8" x 7.1" Super Slot Disc
MCP712	3/16" 7.1" Steel Slot Disc ¹
MCP713	1/4" x 7.1" Steel Slot Disc
MCP1775	1/4" x 7.75" Steel Slot Disc

¹included in Brake Kits

Brake Pads

Part No.	Description
MCP1383B	Black Brake Pad
MCP1383LN	Blue Brake Pad
MCP1383LNA	Green Brake Pad

Brake Disc Hub

Part No.	Description
MCP100	1" Brake Disc Hub
MCP125	1 1/4" Brake Disc Hub



Master Cylinder & Parts

Part No.	Description
MCP750	MiniLite Master Cylinder
MCP251	MiniLite Master Cylinder Rebuild Kit
MCP752	Top Cover
MCP784	Lever Arm Pivot Pin 1"
MCP786	Boot
MCP787	Piston with Seals
MCP788	Piston with O-Ring
MCP789	Piston Cup Seal
MCP790	Snap Ring
MCP791	Spring
MCP878	Top Cover O-Ring
MCP879	Filler Plug
MCP880	Cover Screw
MCP881	Cover Screw O-Ring
MCP885	Push Rod Pivot Pin
KMBF	Brass Fitting

Complete Brake Kits

Part No.	Description
MCP2112	1 1/4" MiniLite Brake Kit - 611 Rotor, 125 Hub
MCP2216B	1 1/4" MiniLite Brake Kit - 506 Rotor, 505 Hub

Caliper & Parts

Part No.	Description
MCP1125	Caliper Assembly
MCP352	Caliper Rebuild Kit
MCP1128	Piston with O-Ring
MCP1129	O-Ring
MCP1380	Adjuster Assembly
MCP13804	Sleeve
KMBF	Brass Fitting
MCP1382	Bleed Screw Assembly
MCP13821	Bleed Screw
MCP13822	Bleed Screw Adapter



Brake Pads

Part No.	Description
MCP554B	MiniLite Standard Pad
MCP554LN	MiniLite High Performance Blue Pad
MCP554LNA ¹	MiniLite/Front Brake Green Brake Pad
¹ for Aluminum Discs	

Brake Disc & Hub

Part No.	Description
MCP611	1/8" x 6" Super Slot Disc (Fits 125M Hub)
MCP612	3/16" x 6" Steel Slot Disc (Fits 125m Hub)
MCP506	1/8" x 6" Steel Slot Disc (Fits 505 Hub)
MCP507	3/16" x 6" Steel Disc (Fits 505 Hub)
MCP526	5/16"-4 x 5/8" Bolt for 505 Hub
MCP125M	1 1/4" MiniLite Brake Hub - Fits 611 & 612
MCP505	1 1/4" MiniLite Brake Hub - Fits 505 & 506



MCP BRAKE SYSTEMS

MCP Front Brakes

Front Brake Parts

Part No.	Description
MCP650	Front Caliper Assembly
MCP651	Caliper Half (Piston Side)
MCP652	Caliper Half (Anvil Side)
MCP653	Piston with O-Ring
MCP554B	Standard Pad
MCP554LNA	High Performance Pad
MCP555	Pad Screw - Piston Side (2 req.)
MCP556	Pad Screw Sleeve (2 req.)
MCP557	Spring (2 req.)
MCP558	Pad Screw - Anvil Side (2 req.)
MCP559	Assembly Screw (2 req.)
MCP560	Caliper Mount Bracket
MCP567	S - Shaped Spindle Arm
MCP668	.030" Steel Caliper Spacer
MCP9002	Front Wheel Brake Bias Control ¹

¹special order item



Front Brake Kits

Part No.	Description
MCP4561	FW Brake Kit (7 1/2" Disc) American
MCP4568	FW Brake Kit (6" Disc) American, Adjustable

Front Brake Disc & Carriers (Hubs)

Part No.	Description
MCP5654	FW Brake Hub (American) Adjustable
MCP566	1/8" x 6" Steel Slot Disc
MCP5661	3/16" x 6" Steel Slot Disc

Enginetics Brake Parts

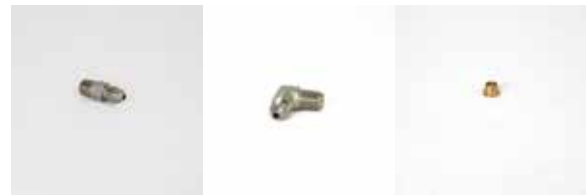
Master Cylinder Parts

Part No.	Description
MCP879	Filler Plug
MCP889	Cup Seal

Caliper Parts

Part No.	Description
EN905	Rebuild Kit
MCP1379	O-Ring
EN708	Shims
MCP13822	Bleed Screw Adapter
MCP13821	Bleed Screw
EN303	Standard Brake Pads

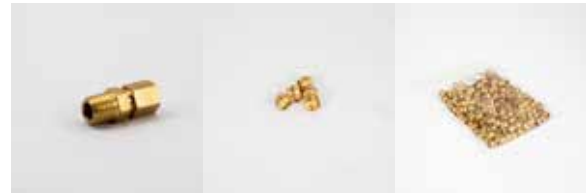
Brass Fittings & Ferrules



MCP316

MCP390

MCP399



KMBF

KM905

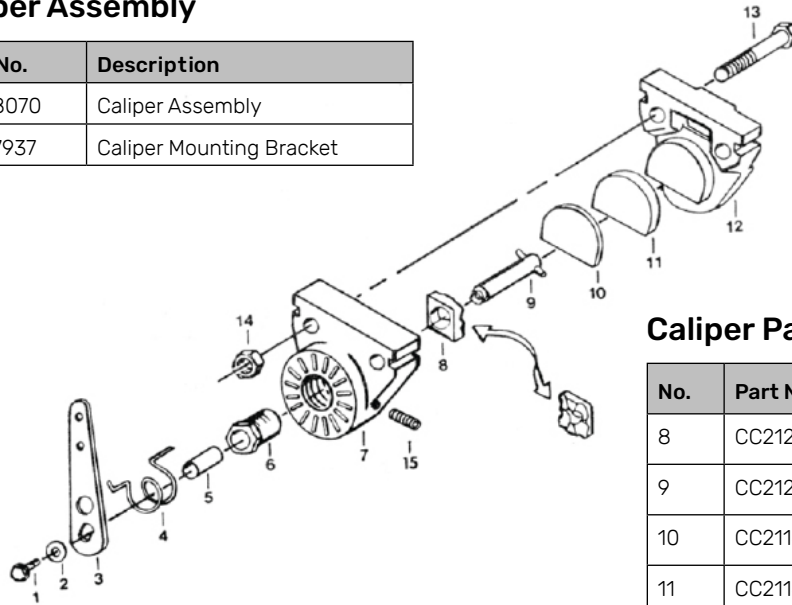
KM905200

Part No.	Description
MCP316	MCP 3/16" x 1/8" Straight Fitting
MCP390	3/16" x 1/8" 90° Fitting
MCP399	MCP Brake Fitting Ferrule
KMBF	Brass Fitting
KM905	Brass Ferrule (5 per pack)
KM905200	Brass Ferrule (200 per pack)

Comet Disc-Caliper Brake

Caliper Assembly

Part No.	Description
CC218070	Caliper Assembly
CC217937	Caliper Mounting Bracket



Caliper Parts

No.	Part No.	Description
8	CC212104	Ramp-Actuator Side
9	CC212106	Shaft-Actuator Side
10	CC211673	Back Up Plate - Actuator Side
11	CC211674	Puck-Actuator Side
12	CC211680	Caliper Puck

Brake Fluid & Bleeder



DOT 5 Brake Fluid

Bleeder Kit

Part No.	Description
EN406	Silicone Brake Fluid, 4 oz
EN408	Silicone Brake Fluid, 8 oz
EN412	Silicone Brake Fluid, 16 oz
EN912	Bleeder Kit

Mechanical Disc Brake



Part No.	Description
RC488	Caliper Assembly
RC490	Replacement Pucks

6" Expanding Brake



AE8138



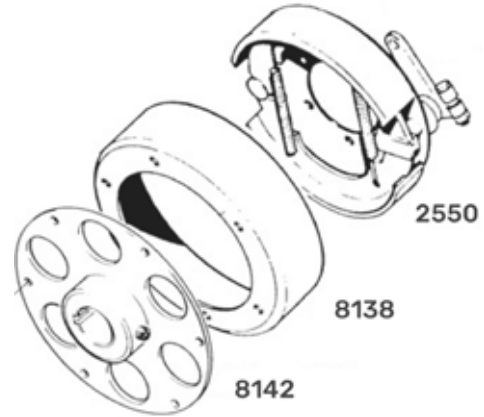
AE8142



AE2550



AE8101



Part No.	Description
AE8138	Drum Only - Plain Finish
AE8142	Drum & Hub - Chrome Finish
AE2550	Brake Assembly (No Drum)
AE8101	Replacement Brake Linings

4" & 4 1/2" Band Brake



CC10978



CC200026



CC200847



AE2255

Part No.	Description
CC10978	4" Band Brake
CC200026	4" Brake Drum
CC200847	Brake Anchor Pin
AE2255	4 1/2" Band Brake & Pin

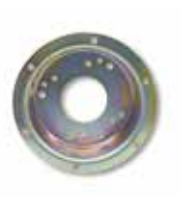
4 1/2" Brake



AE2208



AE2269



AE2213



AE2211



AE2217



AE2218

Part No.	Description
AE2208	4 1/2" Brake with 5/8" Hole
AE2269	4 1/2" Brake with 1" Hole
AE2213	Drum with Flange
AE2211	Drum without Flanges
AE2217	60T Drum & Sprocket
AE2218	72T Drum & Sprocket

Nylon Brake Line



Part No.	Description
KM865	6 ft. Nylon Brake Line
KMNT025	25 ft. Nylon Brake Line
KMNT100	100 ft. Nylon Brake Line
KMNT1000	1000 ft. Nylon Brake Line

Steel Braided Brake Line



Part No.	Description
MCP26SL	26" Stainless Steel Coated Line
MCP30SL	30" Stainless Steel Coated Line
MCP32SL	32" Stainless Steel Coated Line
MCP55SL	55" Stainless Steel Coated Line

10" Brake Disc



Part No.	Description
MCP710	MCP 3/8" x 10" Steel Disc

Economy Brake Disc & Hub



Part No.	Description
CC212369	6 3/8" Disc (1" Hub)
CC212364	7 7/8" Disc (1" Hub)
CC212396	10" Disc (1" Hub)

Billet Master Cylinder Cap



KM215

Part No.	Description
KM215	Master Cylinder Filler Cap Plug

Brake Bolt Kits



Part No.	Description
VK052	Minilite Rotor Bolt Kit (3 Hole)
VK053	Standard Rotor Bolt Kit (4 Hole) 5/16"
VK307	5/16" x 2 1/4" Hex Bolt - Master Cylinder
VK309	5/16" x 4" Hex Bolt - Minilite Caliper
VK316	3/8" x 4" Hex Bolt - Standard Caliper
VK317	3/8" x 4 1/2" Hex Bolt - Standard Caliper

Brake Rotor Guard



KM196 KM197

Part No.	Description
KM196	Standard Rotor Guard
KM197	MiniLite Rotor Guard

Bearing for Caster L Bracket



Part No.	Description
KMCOM8	Spherical Bearing - .5" x 1" OD

Pedal Clevis & Pin



AE8354 KM355 AE8355

Part No.	Description
AE8354	Clevis
KM355	Aluminum Pedal Clevis
AE8355	Clevis Pin*
*Clevis Pin fits AE8354 & KM355	

Throttle Rod & Rod Anchor Bracket



KMTRS AE8182

Part No.	Description
KMTRS	Throttle Rod Spring
AE8182	Rod Anchor Bracket

Pedal Covers



Blue

Red

Black

Plain

Sold in Pairs - Available in Blue, Red, Black and Plain

Part No.	Description
KM810*	14mm or 1/2" ID Color Plain, 1 Pair
KMPC*	3/8" ID Color Plain, 1 Pair

Pedals



AE1806/AE1811

KM302/KM303

Part No.	Description
AE1806	Brake Pedal
AE1811	Throttle Pedal
KM302	Throttle Pedal (Coyote Style)
KM303	Brake Pedal (Coyote Style)

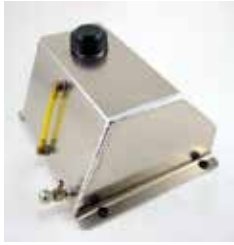
Rookie Pedal Adapter



SOLD INDIVIDUALLY

Part No.	Description
KM722	Pedal Adapter

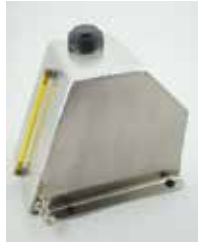
Aluminum Fuel Tanks



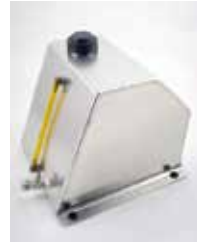
VKA4010



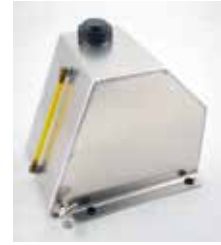
VKA4011



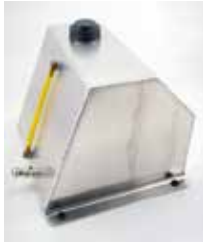
VKA4012



VKA4013



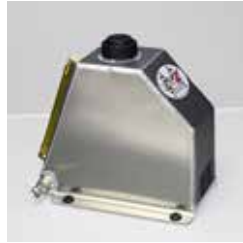
VKA4014



VKA4015



VKA4016



VKA4017



VKA4005



VKA4006

Part No.	Capacity	Description
VKA4010	4 QT	6" x 7.5" x 5" Low Profile
VKA4011	2 QT	9" x 2.5" x 7.75"
VKA4012	4 QT	9" x 4.75" x 7.75"
VKA4013	6 QT	9" x 7.5" x 7.75"
VKA4014	5 QT	9" x 6" x 7.75"
VKA4015	7 QT	9" x 8.5" x 7.75"
VKA4016	1 ½ QT	6" x 4" x 5 ¼", Kid Kart
VKA4017	3 QT	9" x 3 ¾" x 7 ¾"
VKA4005		Plastic Cap for Aluminum Fuel Tank
VKA4006		Metal Cap for Aluminum Fuel Tank

Fuel Tank Screws



VK173

Part No.	Description
VK173	Fuel Tank Screws

8.5L Plastic Fuel Tank



KMT85L

Euro Mount Style, Mounts to Steering Upright. Dimensions 240mm x 260mm x 180mm

Part No.	Description
KMT85L	8.5L Plastic Tank

2 QT Plastic Fuel Tank



KMT2

2 QT floor pan mount plastic fuel tank

Part No.	Description
KMT2	2 QT, 7 ½" x 4" x 5 ½"
KMT2CAP	Replacement Cap
KM500	Fuel Shut Off

Transparent Colored Fuel Line

1/4" ID x 3/8" OD

Part No.	Description
AH*	Orange
AHB*	Blue
AHC*	Clear
AHP*	Purple
AHR*	Red
AHY*	Yellow



Premium Non-Hardening Fuel Line

Transparent Yellow Colored Fuel Line

Part No.	Description
AHZ25	25 ft.
AHZ50	50 ft.
AHZ100	100 ft.
ONLY AVAILABLE IN YELLOW	



Fuel Line Clamps



KMSIC



KMFLCL



KMFLCS

Part No.	Description
KMSIC	Clamp Fits 3/16" x 1/4" Fuel Line
KMFLCL	7/8" Double Wire Hose Clamp
KMFLCS	3/8" Double Wire Hose Clamp

1/4" ID x 7/16" OD Clear Fuel Line



Part No.	Description
AH14716	Clear Fuel Line 100 ft. Roll

Fuel Filters

Gas or Alcohol



KMFFSM

KMFFL

LP700M

Part No.	Description	OD	Length
KMFFSM	Small	1/4"	2 1/8"
KMFFL	Large	1/4"	4"
LP700M	Walbro Style	1/4"	3 1/4"

Gas Only



KMFF90

KMFFS

LP700A

Part No.	Description	OD	Length
KMFFS	Small	1/4"	2 1/8"
KMFF90	90°	1/4"	N/A
LP700A	Walbro Style	1/4"	3 1/4"

Fuel Fittings



Part No.	Description
KM30	1/8" Straight Fitting
KM35	1/8" Plastic Plug
KM36	Single Outlet Shutoff
KM40	90° Elbow Fitting
KM500	1/4" Turn Plastic Shut Off Valve
LP800	1/4" x 3/16" Fuel Line Reducer
LP801	1/4" Fuel Line "Y" Fitting
LP802	1/4" Fuel Line "T" Fitting

Catch Tanks



Part No.	Description
CK1011	Strut Mount Catch Tank - Plain
CK1011B	Strut Mount Catch Tank - Black
KFDCC	Dual Vented, Black Top
KFDCCO	Dual vented, Orange Top
KF22100	Single Catch Can - Flat Mount
KF22150	Single Catch Can - 90° Mount

Animal Oil Fill & Pulse Plugs



Part No.	Description
PP100 ¹	Animal Oil Fill Plug with O-Ring
KM619	Animal Pulse Plug
KM619R ¹	O-Ring
¹ O-Ring fits PP100 as replacement and KM619 as an optional	

Fuel Pumps

Mikuni



LP425

LP427



LP450

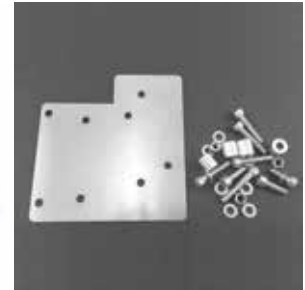
LP449

Part No.	Description
LP425	Mikuni Single Outlet Fuel Pump
LP449	Mikuni Single Outlet Repair Kit
LP427	Mikuni Dual Outlet Fuel Pump
LP450	Mikuni Dual Outlet Repair Kit

Fuel Pump Mounting



KF16019



PP900

Part No.	Description
KF16019	Fuel Pump Riser
PP900	Linkage & Fuel Pump Mounting Plate

Walbro Style



WB100

KM315

Part No.	Description
WB100	Walbro Fuel Pump
KM315	Aftermarket High Volume Fuel Pump
WBK101	Fuel Pump Repair Kit (New Round Style)
WBK210	Fuel Pump Repair Kit (Old Square Style)

Breather Adapter Fittings

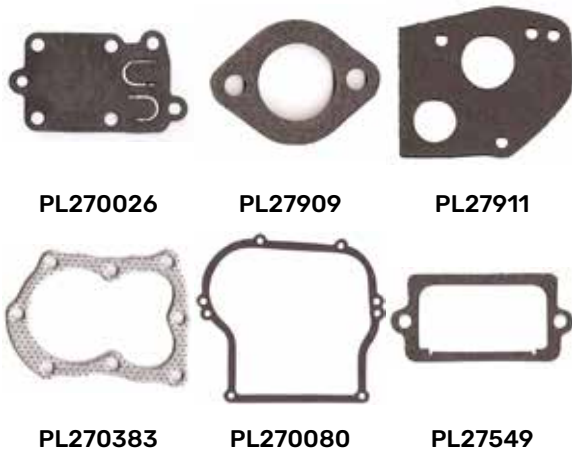


KM618

KM618R

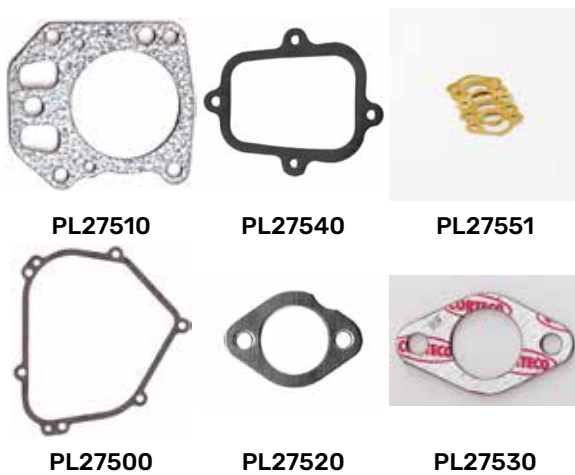
Part No.	Description
KM618	Breather Adapter Fitting
KM618R	Replacement Rubber for KM618

Briggs Aftermarket Gaskets



Part No.	Description
PL270026	Carb Diaphragm, 10 pack
PL27909	Intake Gasket, 10 pack
PL27911	Tank Mounting Gasket, 10 pack
PL270383	Head Gasket, 10 pack
PL270080	Crankcase Gasket, 10 pack
PL27549	Valve Cover Gasket, 10 pack

Briggs Animal Aftermarket Gasket



Part No.	Description
PL27510	Head Gasket
PL27540	Rocker Cover Gasket
PL27551	Copper Exhaust Gasket, 5 pack
PL27500	Side Cover Gasket, 10 pack
PL27520	Exhaust Gasket, Fiber, 10 pack
PL27530	Intake Gasket, 10 pack

Tillotson Carb Kits



LP401

LP102

High performance diaphragm and gasket kit for Tillotson carburetors. Gasket materials surpass OEM specifications and are resistant to all fuels used in racing applications

Part No.	Description
LP102	Tillotson HL Kit - 7 piece
LP401	Tillotson HL Kit - 5 Piece
LP016	Flange Gasket - Fits LP102 & LP401

Walbro Yamaha Carb & Kits



WB31



WBK10

WBD10

WB55D10

Part No.	Description
WB31	Yamaha Walbro Carb Assembly
WBK10	Walbro WB3A Carb Rebuild Kit
WBD10	Walbro WB3A Gasket & Diaphragm Kit
WB55D10	WA55 Gasket & Diaphragm Kit



Spark Plugs



Autolite spark plugs are priced individually but must be ordered in multiples of 4. There are 4 per box.

Part No.	Description
AR2592	¾" (14mm thread)
AR2593	¾" (14mm thread)
AL2852	½" (14mm thread) -surface gap
AR3910	¾" (14mm thread)
AR3910X	¾" (14mm thread) - surface gap
AR3924	¾" (14mm thread)
AR3932X	¾" (14mm thread) - surface gap
AR3933	¾" (14mm thread)
AL4062	¾" (14mm thread)

Part No.	Description
AL4062	¾" (14mm thread)
AL4063	¾" (14mm thread)
AL4092	½" (14mm thread)
AR50	¾" (14mm thread)
AR51	¾" (14mm thread)
AR52	¾" (14mm thread)
AR53	¾" (14mm thread)
AL292	¾" (14mm thread)
AL411	½" (14mm thread)



DENSO

Standard Spark Plugs

Part No.	Description	Qty
NDW20EPRU	¾" (19mm)	4
NDW20MPU	.339" (8.6mm)	10
NDW22MPU	.339" (8.6mm)	10
NDW14U	⅜" (9.5mm)	10
NDW16SU	⅜" (9.5mm)	10
NDW20SU	⅜" (9.5mm)	10
NDW22EPU	¾" (19mm)	4
NDW27SU	⅜" (9.5mm)	10
NDW22ESU	¾" (19mm)	4
NDW27ESU	¾" (19mm)	10
NDW31ESU	¾" (19mm)	10
NDW16FSU	½" (12.7mm)	4
NDW20FSU	½" (12.7mm)	4
NDW22FSU	½" (12.7mm)	10
NDW24FSU	½" (12.7mm)	10
NDW27FSU	½" (12.7mm)	10

All spark plugs are priced individually but must be ordered in box size quantities. The quantity column indicates the amount per box.

**Example: NDW20EPRU, 1 box = 4 plugs.
Order quantities of 4**

Briggs World Formula

Part No.	Description	Qty
NDU20ESRN	¾" (10mm)	10
NDU22ESRN	¾" (10mm)	10
NDU24ESRN	¾" (10mm)	10
NDU27ESRN	¾" (10mm)	10

Briggs Animal

Part No.	Description	Qty
NDQ16RU11	¾" (14mm)	4
NDQ20RU11	¾" (14mm)	4
NDQ22PRU11	¾" (14mm)	4

Iridium Plugs

Part No.	Description	Qty
NDIW24	¾" (19mm)	4
NDIW27	¾" (19mm)	4
NDIW29	¾" (19mm)	4
NDIW31	¾" (19mm)	4
NDIW34	¾" (19mm)	4

Index Washers



Kit Contains:

(10) .019 Washers
(10) .024 Washers
(10) .034 Washers

KM4813

Part No.	Description
KM4813	Spark Plug Index Washers

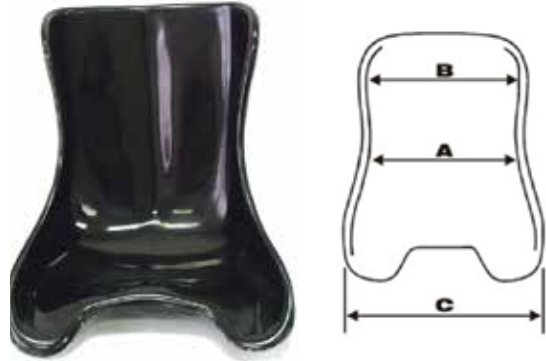
Seats

Fiberglass Oval



Part No.	Size	A	B	C
KMOSJR	Junior	10.5"	9.75"	17"
KMOSS	Small	11.75"	11"	20"
KMOSM	Medium	13.25"	12.5"	21"
KMOSL	Large	14.25"	13.25"	22"
KMOSXL	XL	15.5"	14.5"	23"
KMOSXXL	2XL	16"	15.25"	24"
KMOSXXXL	3XL	17"	16"	25"

Fiberglass Sprint



Part No.	Size	A	B	C
KMSS	Small	11.5"	12.75"	16.75"
KMSM	Medium	12.25"	13.5"	17.25"
KMSL	Large	13"	14.25"	18"
KMSXL	XL	13.75"	15"	18.75"
KMSXXL	2XL	15.75"	17"	20.75"

Foam Seat Padding



½" thick die cut, dense foam seat padding. Self-adhesive for convenient installation. Available in rolls, pre-cut pieces or large sheet.

Part No.	Description
RWSP601	Roll - ½" x 3" x 8 FT
RWSP605	Roll - ½" x 4" x 6 FT
RWSP603	Pre Cut 3 Piece Set
RWSP607	Sheet - ½" x 24" x 32"

Plastic Sprint

Part No.	Description
CM1100S	Small 12 ½" Wide
CM1100M	Medium - 13" Wide
CM1100L	Large - 13 ¾" Wide
CM1100XL	Extra Large - 14 ½" Wide
CM1100XXL	Double Extra Large - 16" Wide



Seat Pad Set

Kart Racewear 3 piece padding set designed to fit the fiberglass sprint seat and most other fiberglass or plastic sprint seats. Made from a heavyweight canvas material, it attaches by velcro strip sewn to pad and self adhesive to seat.



Part No.	Description
RW400	3 Piece Seat Pad Set

Seat Hardware



KM620BLU
KM625BLU

KM620R
KM625R

KM620
KM625

KM620B
KM625B



KM220



PPSW5



PPSW10



PPSW20

Part No.	Description
KM620*	Conical Washer for 6mm or ¼" Hardware
KM625*	Conical Washer for 8mm or ⅜" Hardware
KM220	Rubber Grommets
PPSW5	5mm Aluminum Seat Washer
PPSW10	10mm Aluminum Seat Washer
PPSW20	20mm Aluminum Seat Washer
*specify color when ordering	

Seat Bolt Kits



VK320



PPSMW

Part No.	Description
VK320	Seat Bolt Kit
PPSMW	Seat Washer Kit

Seat Struts

Straight

Part No.	MM	Inches
PPSS225	225mm	8 7/8"
PPSS240	240mm	9 1/2"
PPSS260	260mm	10 1/4"
PPSS275	275mm	10 7/8"
PPSS300	300mm	11 3/4"
PPSS335	335mm	13 1/4"
PPSS55	355mm	14 1/4"
PPSS375	375 mm	15"
PPSS395	395 mm	15 3/4"



Straight



Single Bend



Multi Bend

Single Bend

Part No.	MM	Inches
PPSB315	315mm	12 5/8"
PPSB355	355mm	15 1/2"
PPSB390	390mm	14 3/4"

Multi Bend

Part No.	MM	Inches
PPSSMB295	295mm	11 5/8"
PPSSMB330	330mm	13 1/4"
PPSSMB350	350mm	13 7/8"

Frame Mount

Fits 1 1/8" and 1 1/4" frame rails, mounts directly to the frame with 4 bolt stamped flange clamps. Constructed of 3/4" steel heavy wall tubing. MIG welded and plated for lasting appearance and durability.



KM720

KM721

KM200

Part No.	Description
KM720	Straight Cross Member
KM721	Side Rail
KM200	Adjustable

Mounting Brackets

Weight Brackets



Part No.	Description
KMWB34	3/4" Weight Bracket
KMWB1	1" Weight Bracket
KMWB118	1 1/8" Weight Bracket
KMWB114	1 1/4" Weight Bracket
KMWB30	30mm Weight Bracket - Black
KMWB32	32mm Weight Bracket - Black

Universal Mountin Bracket



Part No.	Description
KM230	3/4" Mounting Bracket
KM231	1" Mounting Bracket
KM232	1 1/8" Mounting Bracket
KM233	1 1/4" Mounting Bracket
KM234	30mm Weight Bracket - Black
KM235	32mm Weight Bracket - Black

Tach Mounts



GPG1844

WB302

Part No.	Description
GPG1844	3/4" Side Bar Mount for Champ Karts
WB302	Steering Wheel Mount

Econo Mini Starter



A lightweight starter with the power in the motor and gear reduction to start any kart, all day, on one charge.

Features

- weighs only 18 lbs
- positive on/off safety switch
- soft sure grip handles & CNC machined parts
- **BATTERY NOT INCLUDED**

Drive Tube for OLDER Mini & Self Contained Starters

Part No.	Description
KMSM1	Econo Mini Gear Driver Starter
KMSB33	Starter Solenoid

Part No.	Description
KM10DT	Drive Tube 10"-12" (standard & gear reduction) ¹
KM11S1	5/8" OD Shaft 5/16" Hex, 3/8" square ¹
KM11S2	5/8" OD Shaft 1/2" square - NO SOCKET
KM11S4	5/8" OD Shaft 1/2" square 15/16" Socket
KM11S5	5/8" OD Shaft, 3/8" Square - NO SOCKET
KM11S7	Econo Drive Shaft & 5/16" Hex Tip
*items part of KMSM1 Econo Mini Drive Starter	

Starter Nuts



KM4806

KM4807

KM4810

Part No.	Description
KM4806	Briggs Starter Nut (5/8" -18)
KM4807	Clone Starter Nut (M14 x 1.5)
KM4810	Animal Starter Nut (M16 x 1.5)

Tie Rods

3/8" diameter tie rods ranging in length from 6" to 12 1/2"; left or right hand thread.



Part No.	Length
TR36	6"
TR365	6 1/2"
TR37	7"
TR375	7 1/2"
TR38	8"
TR385	8 1/2"
TR39	9"
TR395	9 1/2"
TR310	10"
TR3105	10 1/2"
TR311	11"
TR3115	11 1/2"
TR312	12"
TR3125	12 1/2"

Tie Rod Bolt Kits



Part No.	Description
VK303	5/16" x 1 1/4" Hex Bolt - Tie Rod
VK304	5/16" x 1 1/2" Hex Bolt - Tie Rod
VK305	5/16" x 1 3/4" Hex Bolt - Tie Rod
VK306	5/16" x 2" Hex Bolt - Tie Rod
VK310	3/8" x 1 1/4" Hex Bolt - Tie Rod
VK311	3/8" x 1 1/2" Hex Bolt - Tie Rod
VK312	3/8" x 1 3/4" Hex Bolt - Tie Rod
VK313	3/8" x 2" Hex Bolt - Tie Rod
VK314	3/8" x 2 1/4" Hex Bolt - Tie Rod

Tie Rod Ends



KMSPM5/5L

KMSPM6/6L

KMCM12/12E



KM1220

KMCM8/8L

KMSPF5/6

Male Ends

Part No.	Size	Description
KMSPM5	5/16"	Right Hand
KMSPM5L	5/16"	Left Hand
KMSPM6	3/8"	Right Hand
KMSPM6L	3/8"	Left Hand
KMCM12	1/2"	Right Hand w/Nut
KMCM12E	1/2"	Right Handw/Nut, Long
KM1220 ¹	1/2"-20	Slotted Hex Nut
KMCM8	8mm	Right Hand
KMCM8L	8mm	Left Hand

¹fits KMCM12 and KMCM12E

Female Ends

Part No.	Size	Description
KMSPF5	5/16"	Right Hand
KMSPF6	3/8"	Right Hand

Aluminum Tie Rod Ends



Part No.	Size	Description
KM287	1/2"	Male Right Hand
KM288	3/8"	Male Right Hand
KM289	3/8"	Male, Left Hand

Jam Nuts



Part No.	Size	Description
KM51624RH	5/16"-24	Right Hand
KM51624LH	5/16"-24	Left Hand
KM3824RH	3/8"-24	Right Hand
KM3824LH	3/8"-24	Left Hand
KM8MMRH	8mm	Right Hand
KM8MMLH	8mm	Left Hand
KM1220'	1/2"-20	Right Hand, Slotted

Sold as packs of 10 except 'KM1220 sold individually

Bearing for Caster L Bracket



KMCOM8

Part No.	Description
KMCOM8	Spherical Bearing - .5" x 1" OD

Camber Rod End Kits



VK370

VK3702

Part No.	Description
VK370	Camber Rod End Kit
VK3702	Extended Camber Rod End Kit

Steering Shaft Assembly



Part No.	Description
AE1868	28" Shaft & Hub Kit
AE8134	Splined Steering Hub
AE8137	28" Shaft Only
AE8528	1/2"-20 Steering Shaft Nut Only
AE8527	1/4"-28 Slotted Nut
AE8555	5/8" Lock Collar
AE8129	Pitman Arm

Steering Wheels

Aluminum



**Lightweight Aluminum
(Plain or Black)**



Open Top

Part No.	Description
SW12	12" Lightweight Aluminum - Plain
SW12B	12" Lightweight Aluminum - Black
SW14	14" Lightweight Aluminum - Plain
SW14B	14" Lightweight Aluminum - Black
SW62B	13" Open Top Wheel, Black

Neoprene



Part No.	Description
AE1805	12" Neoprene Steering Wheel

Steering Quick Disconnect



KM501



KM502



LA56600

Part No.	Description
KM501	5/8" Steering Quick Disconnect Hub
KM502	5/8" Quick Release, Hex Shaft Only
LA56600	Longacre Steering Quick Disconnect
*fits 3/4" & 5/8" Double Safety Grooves	

Steering Bolt Kits



VK012



VK480

Part No.	Description
VK012	Steering Wheel Bolt Kit
VK480	Low Steering Post Bolt Kit

Steering Shaft Block & Lock Kit



PP110



PP111

Part No.	Description
PP110	Steering Shaft Block & Lock Kit (5/8")
PP111	Replacement Pin



Camera Mounts



ODEZGPS120



ODEZGPL120



ODEZGPS220



ODEZGPL220



ODEZGP131



ODEZGPTK1

Part No.	Description
ODEZGPS120	Single Camera, Short Arm
ODEZGPL120	Single Camera, Long Arm
ODEZGPS220	Double Camera, Short Arm
ODEZGPL220	Double Camera, Long Arm
ODEZGP131	Mount Isolator
ODEZGPTK1	Tuff Kase



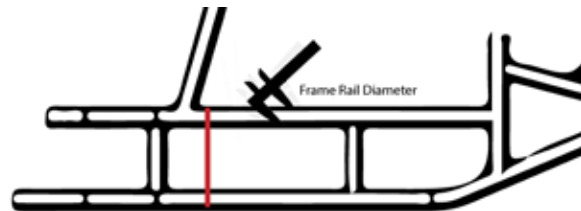
4-Cycle EZ-Set Mounts

The EZ-Set 4-Cycle Mount features a slider mount base and plate with multiple mounting holes providing the versatility to run the clutch inboard or outboard.

Each EZ-Set Mount Includes:

- mount base
- mount plate
- front & rear clamp
- mounting hardware

Determining the Correct Mount Size



$$\text{Total Distance} - \text{Frame Rail Diameter} = \text{Center to Center Measurement (Clamp Size)}$$

i.e. 122mm - 30mm = 92mm
This chassis needs a 30 x 92 clamps

Mount Parts

Parts will work for both the Standard and Euro EZ-Set 4-Cycle Mounts.

Part No.	Description
ODBOLTPK4	Engine Stud Kit (4 pcs)
ODESB	Mount Base
ODESM4S	8° Upper Mount
ODESM4S0	0° Upper Mount
ODC2	Copper Plate
ODMCB	10 x 30mm Clamp Bolt

Standard Mounts



8° Mounts

Part No.	Description
ODESA4SI28	28 x 92mm
ODESA4SI30/K28	30 x 92mm & 28 x 90mm
ODESA4SI32/K30	32 x 92mm & 30 x 90mm
ODESA4SK32	32 x 90mm

Euro Mounts

The Euro Mount is engineered for International Chassis. Specifically designed front and rear clamps provide more positive grip and less chance of crushing the frame rail.

Part No.	Description
ODESAES43090	30 x 90mm
ODESAES43092	30 x 92mm

0° Mounts

Part No.	Description
ODESA4SI30/K28-0	30 x 92mm & 28 x 90mm
ODESA4SI32/K30-0	32 x 92mm & 30 x 90mm

Clamps for Standard Mounts

Part No.	Description
ODI28	28 x 92mm Clamps
ODI30/K28	30 x 92mm & 28 x 90mm
ODK30/I32	30 x 92mm & 32 x 92mm
ODK32	32 x 90mm
ODMCB	10 x 30mm Clamp Bolt

Sold Individually; 1 Mount will need (2) Clamps



Clamps for Euro Mounts

Part No.	Description
OD3090F	FRONT Clamp, 30 x 90mm
OD3090R	REAR Clamp, 30 x 90mm
OD3092F	FRONT Clamp, 30 x 92mm
OD3092R	REAR Clamp, 30 x 92mm
ODMCB	10x 30mm Clamp Bolt

Sold Individually, 1 Mount - 1 Front, 1 Rear

Universal Motor Mounts

Part No.	Description
AE8155	Swing Mount 1" for 1 ¼" Axles
AE8190	Flat Mount 5" x 12"
AE8191	Flat Mount 8 ¾" x 7 ¾"



AE8155



AE8190



AE8191

4-Cycle Angled Motor Mount

Top quality, anodized, lightweight adjustable motor mount. Includes all hardware and zinc coated butterfly clamps. Fits 1 1/4" rail.



INTERNATIONAL OR STANDARD/AMERICAN RAIL? The difference between the center to center measurement of the 2 chassis rails the engine sits on determines which type of mount a kart needs.

International = 3 5/8"
Standard = 3"

*Most newer race chassis will take an International Mount

Mount Parts & Accessories

Part No.	Description
PM300	Standard Top Plate Only
PM300W	Wide Top Plate Only
PM301	American Clamp Set
PM302	International Clamp Set
PM303	Hardware Kit
PM304	Base Plate Bolt Kit (2 Bolts, Washers & Lock Nuts)
PM306	International Clamp Set - Aluminum
PM36MPBS	Slider Plate (Base Only)
PM36MPTS	Slider Plate (Top Only)
PM36MP	Slider Plate Assembly

Slider Mounts

Part No.	Description
PM36I5MPSP	5° Mount
PM36I8MPSP	8° Mount
PM36I15MPSP	15° Mount
PM36A15MPSP	15° Mount (AMERICAN)
International Mount unless otherwise indicated	

Wide Top Plate Mounts

Part No.	Description
PM202W	8° Mount
PM203W	15° Mount
international mounts only	

Dual 8°/15° Mount

Part No.	Description
PM204	Extended Right
International Mounts Only	

American

Part No.	Description
PM100	0° Mount
PM101	5° Mount
PM102	8° Mount
PM103	15° Mount

International

Part No.	Description
PM200	0° Mount
PM201	5° Mount
PM202	8° Mount
PM203	15° Mount
PM36I8MPHTK	8° Mount with 3/4" Top Plate
PM36I15MPHTK	15° Mount with 3/4" Top Plate

305/GX390 Mounts

Part No.	Description
PM36I305	15° Mount - International
PM36A305	15° Mount - American
PM36MP	Top Plate Only



Slider Mounts

Wide Top Plate Mounts

Dual 8°/15° Mount

4-Cycle Aluminum Motor Mount

Designed for the Box Stock Class, these 2 piece mounts are precision machined from lightweight aluminum and engineered to provide tire clearance.

Angled Mounts

Part No.	Description
KMBAM1	1 1/8" - American
KMBAM2	1 1/8" - International
KMBAM1141	1 1/4" - American
KMBAM1142	1 1/4" - International
KMBAM30	30mm - International



Angled Mounts

Flat Mounts

Part No.	Description
KMBFM1	1 1/8" - American
KMBFM2	1 1/8" - International



Flat Mounts

Butterfly Clamps



Part No.	Description
GPG1299	Large Clamp - International
GPG1300	Small Clamp - American
Sold individually, per clamp	

Inner Throttle Cables



Ball Barrel

Part No.	End	Diameter	Length
AE2300	3/16" Ball	1.5mm	96"
AE2301	3/16" Ball	1.5mm	54"
PP851LH	3/16" Ball	1.8mm	72"
PP872	Barrel	1.8mm	72"
PP880	Barrel	1.2mm	80"

Cable Stops & Anchors



PP801



PP800



GPG1358



GPG1360



AE2360



PL40

Part No.	Description
PP801	Flat Type Cable Clamp
PP800	Aluminum Cable Clamp
GPG1358	Yamaha Carb Cable Anchor
GPG1360	Yamaha Carb Anchor Housing
AE2360	Cable Stop - 1 per bag
KM932	Cable Stop - 4 per bag
GPG1360	Cable Stop - 50 per bag

Bulk Cable Housing



Nylon

Heavy Duty

H.D. Cap

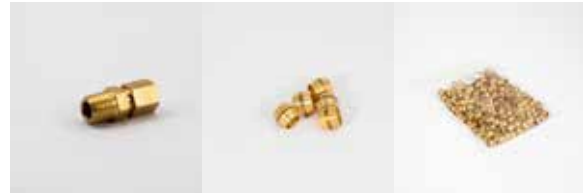
Part No.	Description
KM865	6' Nylon Cable Housing
KMNT025	25' Nylon Cable Housing
KMNT100	100' Nylon Cable Housing
KMNT1000	1000' Nylon Cable Housing
KMCH10	10' Heavy Duty Cable Housing
KMCH25	25' Heavy Duty Cable Housing
KMCHCAP	Cap for Heavy Duty Cable Housing

Throttle Cable & Housing



Part No.	End	Length
PP815K	3/8" Ball End	48"
KMTC92	3/8" Ball End	92"
KMTC120	3/8" Ball End	10 ft.
MM100372	3/8" Ball End	72"

Throttle Fittings



KMBF

KM905

KM905200

Part No.	Description
KMBF	Brass Fitting
KM905	Brass Ferrule (5 Pack)
KM905200	Brass Ferrule (200 Pack)

Throttle Kits



KM609

KM194

KMBTK



KMBTK

KMPE118

KMPE218

Animal/L0206 Carb Choke Spring



Part No.	Description
KM602	Carb Choke Spring

Throttle Return Springs



KMBTS

KM994

Part No.	Description
KMPE218	Briggs Throttle Spring
KM994	Yamaha Throttle Return Spring

Part No.	Description
KM609	Animal/206 Throttle Kit
KM194	Clone Throttle Kit
KMBTK	Briggs Throttle Kit
KMBTKT	Briggs/Tillotson Throttle Kit
KMPE118	Predator Engine Throttle Kit

Throttle Clevis



KM191

KM192F

KM192M

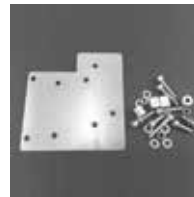


KMTCR

KM50

Part No.	Description
KM191	2 Piece Throttle Clevis
KM192F	Female Half
KM192M	Male Half
KMTCR	Throttle Clevis
KM50	Throttle Clevis & Spring

Throttle/Fuel Pump Mounting Plate



Animal/L0206 mounting plate for throttle linkage and fuel pump.

Part No.	Description
PP900	Throttle/Fuel Pump Mounting Plate

Foam Prefilters



Part No.	Size	Description
UIPF	3 1/2" x 5"	Red
UIPFHQ	3 1/2" x 5"	Red (premium filter)
UIPFLL	3 3/4" x 6"	Yellow
UIPFLLC	3 3/4" x 6"	Yellow, Closed End
UIPF3128	3 1/2" x 8"	Blue, 50 ppi
UIPF3128BLK	3 1/2" x 8"	Black, 80 ppi
UIPF3128Y	3 1/2" x 8"	Yellow, 65 ppi
UIPF4125	4 1/2" x 5"	Blue, 50 ppi
UIPF110	3" x 5"	Red
UIPF110BLK	3" x 5"	Black, 80 ppi

Outerwears



Part No.	Description
OW1035TBLK	3" x 3" Prefilter - BLACK ONLY
OW104T*	3" x 4" Prefilter
OW105T*	3" x 5" Prefilter
OW144T*	4 1/2" x 4" Prefilter
OW145T*	4 1/2" x 5" Prefilter
OW146TBLK	4 1/2" x 6" Prefilter - BLACK ONLY
OW1154T*	3 1/2" x 4" Prefilter
OW1156T*	3 1/2" x 6" Prefilter
OW1158T*	3 1/2" x 8" Prefilter

*Indicate Color: B=Blue, BLK=Black, R=Red, Y=Yellow

Air Filters



AFR20



AFR50



AFR80



AFR83



AFR84



AFR100



AFR110



AFR1100



AFR1200



AFR146



AFR175



AFR177



AFR179



AFR80TC



AFR1250TC

Filter Sprays



Part No.	Length	ID	Description
AFR20	3" x 4"	1 1/16"	
AFR50	3 1/2" x 4"	2 1/16"	
AFR80	3 1/2" x 4"	2 3/16"	
AFR83	4 1/2" x 4"	2 1/16"	
AFR84	4 1/2" x 5"	2 3/16"	
AFR100	3" x 4"	1 1/4"	
AFR110	3" x 5"	1 1/4"	
AFR1100	3 1/4" x 4"	1 1/4"	
AFR1200	4 1/2" x 4"	1 1/4"	
AFR146	4" x 5"	2 3/4"	10° Angle
AFR175	3 1/2" x 4"	2 3/16"	20° Angle
AFR177	3 1/2" x 6"	2 3/16"	20° Angle
AFR179	3 1/2" x 8"	2 3/16"	20° Angle
AFR80TC	3 1/2" x 4"	2 3/16"	Tapered Chrome
AFR1250TC	3 1/2" x 4"	2 1/4"	Tapered Chrome

Part No.	Description
KL606	Foam Filter Oil - 15.25oz Aerosol
KL607	Fabric Filter Oil - 15.25oz Aerosol
KL608	Filter Cleaner - 15.25oz Aerosol

Foam Air Filters



Part No.	Length	ID
UI425	4"	2 1/4"

RLV Header Pipes



RLV5438



RLV5506



RLV5507



RLV5530



RLV5511

Part No.	Description
RLV5438	Clone Header Pipe
RLV5506	206 Spec Pipe
RLV5507*	206 Jr. Spec Pipe
RLV5530	Animall/ 206 Pipe (Cage Karts)
RLV5511*	206 Jr. Spec Pipe, Left Side
*includes mount	

Pipe Mounts



RLV0517



RLV4156



RLV5511MNT



RLV4151

Part No.	Description
RLV0517	Mount for 5506 Pipe
RLV4156	Mount for 5507 Pipe
RLV5511MNT	Mount for 5511 Pipe
RLV4151	Mount for 5530Pipe

Header Bolt Kits



Part No.	Description
VK001	Briggs (Standard)
VK002	Animal/F2000 (Metric)
VK002L	Animal/F2000, 25mm
Vk005	Clone (25 mm length)
VK006	Clone (30 mm. length)

4-Cycle Silencers

Designed to reduce noise and backfire of the 4-cycle engine, not the horsepower.



Yamaha Mufflers



RLVYBX

RLVSSX

RLV7516

Part No.	Description
RLVYBX	Jr. & Sr. Sportsman (7500)
RLVSSX	Super Sportsman (7548)
RLV7516	SSX End Cap

Part No.	Description
RLV4100	1" Exhaust Silencer - B91
RLV4102	1 1/8" Exhaust Silencer - B91L
RLV4104	1 5/8" Exhaust Silencer - B91XL
RLV4106	1 5/8" Modified & Open - B91M0
RLV4117	Clone Silencer
RLV4145	1" Lock Collar - Fits 4100 (B91)
RLV4146	1 1/8" Lock Collar - Fits 4102 (B91L)
RLV4147 ¹	Stainless Steel Silencer Hose Clamp
RLV9135	Silencer Hose Clamp for Safety Wiring

¹ for use with 4104 (B91XL) or 4106 (B91M0)

Intake Silencer Parts



RLV0362

RLVAFA

Part No.	Description
RLV0362	Air Box Tube - 2mm
RLVAFA	Internal Filter - Angled

Air Filter Clamps



AFCL

AFCS

Part No.	Description
AFCL	Large Air Filter Clamp
AFCS	Small Air Filter Clamp

Filter Adapters



KMBFA

KM190

Part No.	Description
KMBFA	Briggs Aluminum Filter Adapter 2 3/8" OD
KM190	Clone Stamped Filter Adapter 2 3/8" OD

Braided Silencer Sleeve



Part No.	Description
LA80006K	6 Sleeve Kit, Includes 2 Clamps
LA80010	10' x 1 1/2" Silencer Sleeve
LA80025	25' x 1 1/2" Silencer Sleeve
LA80050	50' x 1 1/2" Silencer Sleeve
LA800100	100' x 1 1/2" Silencer Sleeve

Braided Header Sleeve



Part No.	Description
LA79210	7/8" Braided Sleeve 10 ft
LA79225	7/8" Braided Sleeve 25 ft
LA79250	7/8" Braided Sleeve 50 ft
LA792100	7/8" Braided Sleeve 100 ft

Rubberized Header Wrap Sleeves

Silicone Rubber Exterior with a Fiberglass Interior



Part No.	Description
LA4995	1" X 5'
LA49910	1" X 10'
LA49925	1" X 25'
LA49950	1" X 50'
LA499100	1" X 100'

Header Wrap Insulation Tape



Part No.	Description
LA64890	10' x 2" x 1/16"
LA64880	25' x 2" x 1/16"
LA64870	50' x 2" x 1/16"
LA64850	100' x 2" x 1/16"

Exhaust Gaskets



CKEX

KM4900

KM4950



PL27520



PL27551

Part No.	Description
CKEX	Briggs Aftermarket Exhaust Gasket - 10 pack
CKEX100	Briggs Aftermarket Exhaust Gasket - 100 pack
KM4900	Clone Exhaust Gasket - 10 pack
KM4901	Clone Exhaust Gasket - 100 pack
KM4950	Clone Exhaust Gasket (Copper) - 5 Pack
PL27520	Animal Aftermarket Exhaust Gasket (Fiber) - 10 pack
PL27551	Animal Aftermarket Exhaust Gasket (Copper) - 5 Pack

Tri-Flow



SOLD INDIVIDUALLY (12) 12oz CANS PER CASE

Tri-Flow Superior Lubricant provides 2x the lubricating power of most competitive brands. It's light viscosity allows for deep penetration into hard to reach moving parts.

Part No.	Description
TF12	Tri-Flow 12oz Aerosol Can

Ratio Rite Mixing Cup



WB300



WB301

Part No.	Description
WB300	Ratio Rite Mixing Cup
WB301	Lid for Ratio Rite Mixing Cup

Klotz Quick Detailer



Klotz quick detailer not only wipes away the dust and dirt but adds a protective layer of carnauba wax, giving you that desired shine between washes. Can also be used with buffers and clay bars.

Part No.	Description
KL320	Klotz Quick Detailer



4-Cycle Kart Oils

Pure Estorlin® Kart 4-Stroke Performance

SOLD INDIVIDUALLY, (10) QUARTS PER CASE



- Designed for all air cooled splash type systems
- Lowers engine temperatures
- Increases power and torque
- Reduces friction and wear
- Rust and corrosion inhibitors
- Compatible with conventional oils and most synthetics
- Recommended for use with gasoline, alcohol, ethanol, and nitro fueled engines.

Part No.	Description
KE216	Kart 4-Cycle 0W/16 - 1 Quart
KE220	Kart 4-Cycle 0W/20 - 1 Quart
KE230	Kart 4-Cycle 0W/30 - 1 Quart
KE240	Kart 4-Cycle 0W/40 - 1 Quart

Break-N Mineral Base Oil

SOLD INDIVIDUALLY, (12) QUARTS PER CASE



Designed for 4-Cycle Racing Engines, Klotz 40WT Mineral Base Oil provides continuity from Break-N to Pure Estorin Synthetic Engine Lubricant. Extremely important during break in procedure to seat rings and break in cam. Mixture contains generous amounts of zinc and phosphorus.

Part No.	Description
KE903	Break-N-Mineral Base Oil, Quart

Nitro Power Additive



SOLD INDIVIDUALLY (10) 16oz BOTTLES PER CASE

Klotz Nitro is an oxygenating power additive developed for gasoline and methanol alcohol fuels.

Part No.	Description
KL600	Nitro Power Additive, 16 oz. Bottle

Higher Octane Booster



SOLD INDIVIDUALLY (20) 6oz BOTTLES PER CASE

This premeasured bottle makes it easy to increase fuel octane rating while improving throttle response, acceleration, and increasing fuel mileage. Recommended for gasoline or ethanol enriched fuels.

Part No.	Description
KL626	Higher Octane Booster, 6oz Bottle



2-Cycle Kart Oils

Super Techniplate®



SOLD INDIVIDUALLY, (10) QUARTS PER CASE

Contains 80% Original Techniplate Synthetic Lubricant and 20% BeNOL Racing Castor Lubricant. Provides the Clean Burn™ quality of Klotz Synthetic Lubricants along with the exceptional strength of castor oil.

Part No.	Description
KL100	Super Techniplate - 1 Quart

Original Techniplate®



SOLD INDIVIDUALLY, (10) QUARTS PER CASE

Klotz Clean Burn Technology™ virtually eliminates carbon and residue build up. Extreme film strength engineered to reduce engine component wear and increase horsepower.

Part No.	Description
KL200	Original Techniplate - 1 Quart

R-50 Techniplate®



SOLD INDIVIDUALLY, (10) QUARTS PER CASE

R-50 is a pure synthetic lubricant designed exclusively for use in all sustained Hi-RPM 2-stroke racing engines.

Part No.	Description
KL104	R-50 Techniplate - 1 Quart

BeNOL® Racing Castor Oil



SOLD INDIVIDUALLY, (10) PINTS PER CASE

BeNOL® provides twice the film strength and load carrying capacity over conventional castor oils.

Part No.	Description
KLBC175	BeNOL® Racing Castor - 1 Pint



Assembly Lube



SOLD INDIVIDUALLY (10) 12oz BOTTLES PER CASE

TechniPlate Synthetic Assembly Lube provides needed lubrication during the critical first moments an engine runs

Part No.	Description
KL311	Assembly Lube - 12oz Bottle

Hi-Performance Chain Case Lube



SOLD INDIVIDUALLY (10) BOTTLES PER CASE

Klotz's Chain Case Lube, Black Formula, provides increased wear protection. Graphite molecules reduce friction to create more power and penetrate deep into chain rollers to loosen stiff links, extend chain and sprocket life, and help eliminate rust and corrosion.

Part No.	Description
KL500	Chain CaseLube - 12oz Bottle

Hi-Performance Chain Lube



SOLD INDIVIDUALLY (10) CANS PER CASE

Contains EXTRATAC™ Anti-Wear System which dries tacky and penetrates deep to loosen stiff links. The waterproof formula prevents rust, extends chain and sprocket life and washes off.

Part No.	Description
KL605	Hi-Performance Chain Lube - 15.5oz Aerosol

KLR Chain Lube



SOLD INDIVIDUALLY (10) CANS PER CASE

Klotz's KLR Waterproof Dry Formula is heat activated. It dries quickly to repel moisture, dirt and sand. The pinpoint nozzle allows complete coverage with no mess providing a protective shield of lubrication to help prevent rust and wash off.

Part No.	Description
KL611	KLR Chain Lube - 16oz Aerosol



Foam Filter Oil



SOLD INDIVIDUALLY, (10) CANS PER CASE

Recommended for K&N Type Foam Air Filters. Improves air flow while trapping dust, dirt and sand. Filters out 1 micron sized particles. Blocks out moisture and water. Waterproof formula will not clog.

Part No.	Description
KL606	Foam Filter Oil, 15.25oz Aerosol

Fabric Filter Oil



SOLD INDIVIDUALLY, (10) CANS PER CASE

Recommended for K&N Type Fabric Air Filters. Improves air flow while trapping dust, dirt and sand. Filters out 1 micron sized particles. Quickly penetrates and will not run off. Moisture resistant formula.

Part No.	Description
KL607	Fabric Filter Oil, 15.25oz Aerosol

Filter Cleaner



SOLD INDIVIDUALLY, (10) CANS PER CASE

Removes dirt & oil from air filters for increased air flow and performance. Safe for use on all foam and fabric filters.

Part No.	Description
KL608	Filter Cleaner, 15.25oz Aerosol

General Purpose Cleaner



SOLD INDIVIDUALLY, (10) BOTTLES PER CASE

Cleans oil, grease, and varnish from engine and driveline hardware. Prepares and conditions metal surfaces for painting or coating. Removes bug residue, tar and tire rubber from vehicles.

Part No.	Description
KL309	General Purpose Cleaner 23oz Spray Bottle

4-Cycle Miscellaneous

Air Filter Rain Hood



Canister installs and uninstalls without any modification to the air filter. Protect the engine in wet conditions.

Part No.	Description
KF23100	Air Filter Rain Hood

PKT Float Height Gauge



Set float height more precisely and independently from side to side with this precision machined aluminum piece from PKT.

Part No.	Description
PKT206FG	206 Float Height Gauge

Animal Crankshaft Holding Tool



The Crankshaft Holding Tool is designed to assist with performing a leak down test on your LO206 Engine. Tests can be completed in top dead center, bottom dead center, and 7 other positions in between.

Part No.	Description
KM601	Crankshaft Holding Tool

Animal Valve Spring Tool



Easily install/remove valve springs and retainers, even without taking the head off. Screws directly on to studs.

Part No.	Description
KM600	Animal Spring Tool

Engine Oil Drain Plate



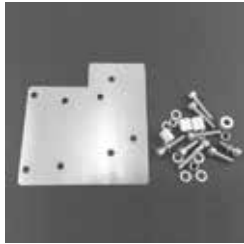
The plate, made of lightweight metal, mounts between the engine and engine mount. The angled funnel style end allows oil to flow from the drain right to your oil waste tank. Keep the mess from kart and ground. Can be bent to different angles for better drain flow.

Part No.	Description
NSKL33	Engine Oil Drain Plate

Fuel Pump Mounting



KF16019



PP900

Part No.	Description
KF16019	Fuel Pump Riser
PP900	Linkage & Fuel Pump Mounting Plate

Engine Oil Plug Tool



Part No.	Description
PP105	Oil Plug Tool

Aftermarket Oil Fill Plug



Part No.	Description
PP100	Aftermarket Oil Fill Plug

Animal /Clone Flywheel Screen



Part No.	Description
KM612	Animal/Clone Flywheel Screen

Engine Kill Switch



Part No.	Description
AE1721	Universal Kill Switch

Animal/L0206 Carb Choke Spring



Part No.	Description
KM602	Animal/L0206 Carb Choke Spring

Catch Tanks



CK1011



CK1011B



KFDCC



KF22100



KF22150

Part No.	Description
CK1011	Strut Mount Catch Tank - Plain
CK1011B	Strut Mount Catch Tank - Black
KFDCC	Vented Dual Catch Can
KFDCC0	Vented Dual Catch Can - Orange
KF22100	Single Catch Can - Flat Mount
KF22150	Single Catch Can - 90° Mount

Hardware

Bodywork and Chassis Bolt Kits



VK011



VK25*



VK350



VK391



VK466



VK173

Part No.	Description
VK011	Graphic Saver Kit
VK25*	Body Fastener Kit (16 pcs)
VK350	Nerf Bar Pin Kit
VK391	Bumper Mount Hardware
VK466	Dzus Button Kit
VK173	Fuel Tank Screws (3 pcs)
*specify color B=Black, W=White, Y=Yellow	

Throttle Kits



KM609

KM194

KMBTK



KMBTKT

KMPE118

KMPE218

Part No.	Description
KM609	Animal Throttle Kit
KM194	Clone Throttle Kit
KMBTK	Briggs Throttle Kit
KMBTKT	Briggs/Tillotson Throttle Kit
KMPE118	Predator Engine Throttle Kit
KMPE218	Predator Engine Throttle Kit & Fuel Pump Mount

Throttle Return Springs



KMBTS

KM994

Part No.	Description
KMBTS	Briggs Throttle Spring
KM994	Yamaha Throttle Return Spring

Animal/L0206 Carb Choke Spring



Part No.	Description
KM602	Animal/205 Carb Choke Spring

Steering Bolt Kits



VK012

VK370



VK3702

VK480

Part No.	Description
VK012	Steering Wheel Bolt Kit (3 pcs)
VK370	Camber Rod End Kit
VK3702	Extended Camber Rod End Kit
VK480	Lower Steering Post Bolt Kit

Throttle Fittings



KMBF

KM905

Part No.	Description
KMBF	Brass Fitting
KM905	Brass Ferrule (5 Pack)
KM905200	Brass Ferrule (200 Pack)

Cable Stops & Anchors



AE2360



PP800



PP801



GPG1358



GPG1360

Part No.	Description
AE2360	Cable Stop - 1 per bag
KM932	Cable Stop - 4 per bag
PL40	Cable Stop - 50 per bag
PP800	Aluminum Cable Clamp
PP801	Flat Type Cable Clamp
GPG1358	Yamaha Carb Cable Ancor
GPG1360	Yamaha Carb Anchor Housing

Brake Bolt Kits



VK052



VK053



VK307



VK309



VK316



VK317

Part No.	Description
VK052	Minilite Rotor Bolt Kit (3 Hole)
VK053	Standard Rotor Bolt Kit (4 Hole)
VK307	5/16" x 2 1/4" Hex Bolt Kit - Master Cylinder
VK309	5/16" x 4" Hex Bolt Kit - Minilite Caliper
VK316	3/8" x 4" Hex Bolt Kit - Standard Caliper
VK317	3/8" x 4 1/2" Hex Bolt Kit - Standard Caliper

Chain Guard Bolt Kits



Part No.	Description
VK147	SAE Chain Guard Bolt Kit
VK149	Metric Chain Guard Bolt Kit

Sprocket Hub Bolt Kits



VK325



VKM6BK

Part No.	Description
VK325	Sprocket Hub Bolt Kit
VKM6BK	M6 Sprocket Hub Bolt Kit

Seat Bolt Kits



VK320



PPSMW

Part No.	Description
VK320	Seat Bolt Kit
PPSMW	Seat Mount Washer Kit

Exhaust Springs



Part No.	Description
KMES2	2" Exhaust Spring
KMES3	3" Exhaust Spring
KMES4	4" Exhaust Spring
KM864	3 1/2" Double Loop Exhaust Spring

Clone Bolt Kits



VK150



VK347

Part No.	Description
VK150	Clone Exhaust Nuts (2 pcs)
VK347	Clone Choke Lock & Screw

Wheel Bolt Kits & Nuts



VK324

VK393

VK405

AP516BK

AP1428

AP51624

AP142812

Part No.	Description
VK324	¼" Wheel Bolt Kit
VK393	¼" Self-Start Wheel Bolt Kit (12 pcs)
VK405	5/16" Self-Start Wheel Bolt Kit (12 pcs)
AP516BK	5/16" Wheel Bolt Kit (3 pcs)
AP1428 ¹	¼" -28 Flange Nuts - Smooth
AP51624 ¹	5/16"-24 Flange Nuts - Smooth
AP142812 ¹	14-28 Flange Nuts with ½" Head
¹ Available in packs of 25 or 100	

CIK Nut & Washer Kit



Part No.	Description
DW75246	CIK Nut & Washer Kit

Bead Locks & O-Rings



VK150

VK347

Part No.	Description
VK150	Clone Exhaust Nuts (2 pcs)
VK347	Clone Choke Lock & Screw

Metric Nuts & Washers



Part No.	Description
HRDWM6S	M6 x 1.0 6mm Tall Nylock Nut
HRDWM6T	M6 x 1.0 8mm Tall Nylock Nut
HRDWM6F	M6 x 1.0 9mm Tall Nylock Flange Nut
HRDWM6W	Flat Washer, 6.25 mm I.D. x 12 mm O.D.
HRDWM8S	M8 x 1.25, 7.75 mm Tall Nylock Nut
HRDWM8T	M6 x 1.25, 9.25mm Tall Nylock Nut
HRDWM8F	M6 x 1.25, 10.75mm Tall Nylock Flange Nut
HRDWM8W	Flat Washer 8.4mm I.D. x 15mm O.D.

Spindle Nut

5/8" 18 Slotted Spindle Nut



KM5818

KM988

Part No.	Description
KM5818	Individual Spindle Nut
KM988	2 Pack Spindle Nut

Jam Nuts



Part No.	Size	Description
KM51624RH	5/16"-24	Right Hand
KM51624LH	5/16"-24	Left Hand
KM3824RH	3/8"-24	Right Hand
KM3824LH	3/8"-24	Left Hand
KM8MMRH	8mm	Right Hand
KM8MMLH	8mm	Left Hand
KM1220 ¹	1/2"-20	Right Hand, Slotted
Sold as packs of 10 except ¹ KM1220 sold individually		

Header Bolt Kits



Part No.	Description
VK001	Briggs Header Bolt Kit (SAE)
VK002	Animal/F2000 Header Bolt Kit (20mm)
VK002L	Animal/F2000 Header Bolt Kit (25mm)
VK005	Clone Header Bolt Kit (25mm)
VK006	Clone Header Bolt Kit (30mm)

Fuel Line Clamps



Part No.	Description
KMSIC	Clamp Fits 3/8" & 1/4" Fuel Line
KMFLCL	7/16" Double Wire Hose Clamp
KMLCS	3/8" Double Wire Hose Clamp

Safety Clips



Part No.	Description
KMSPP	1 3/4" Safety Pin - Large
KMSPS	1" Safety Pin - Small
KMSCRL	Circular Clip, Large
KMSCRS	Circular Clip, Small

Safety Wire & Pliers



Part No.	Description
KMSWP	9" Safety Wire Pliers
LA22598	.032 x 50' Stainless Steel Safety Wire
LA22599	.032 x 360' Stainless Steel Safety Wire

Tie Rod & Pitman Arm Bolt Kits



Part No.	Description
VK303	5/16" x 1 1/4" Hex Bolt - Tie Rod
VK304	5/16" x 1 1/2" Hex Bolt - Tie Rod
VK305	5/16" x 1 3/4" Hex Bolt - Tie Rod
VK306	5/16" x 2" Hex Bolt - Tie Rod
VK308	5/16" x 2 1/2" Hex Bolt - Pitman Arm
VK310	3/8" x 1 1/4" Hex Bolt - Tie Rod
VK311	3/8" x 1 1/2" Hex Bolt - Tie Rod
VK312	3/8" x 1 3/4" Hex Bolt - Tie Rod
VK313	3/8" x 2" Hex Bolt - Tie Rod
VK314	3/8" x 2 1/4" Hex Bolt - Tie Rod
VK315	3/8" x 2 1/2" Hex Bolt - Pitman Arm

Clutch Bolt Kits



Part No.	Description
VK003	3/4" Clutch Bolt Kit
AP144	3/4" Clutch Bolt Kit
VK0031	1" Clutch Bolt Kit

Air Filter Clamps



Part No.	Description
AFCL	Large Clamp
AFCS	Small Clamp

Racing Flags

Kart Racewear 7 piece racing flag set. All flags are professional size, 24" x 24", and are mounted on 3/4" varnished 3' dowel rod.



Part No.	Description
RWF	Complete Flag Set - 7 Flags
RWYF	Yellow Flag
RWBF	Black Flag
RWRP	Red Flag
RWGF	Green Flga
RWWF	White Flag
RWCKF	Checkered Flag
RWBUF	Blue Flag
RWMBF ¹	Meatball Flag
¹ not included in set	

Kart Racewear Sprint Kart Cover



The Kart Racewear Kart Cover has been a staple in affordable karting accessories for years. Newly redesigned to fit the large KG507/508 bodywork, it is made of a high quality nylon material designed to repel water. The contoured design and thick elastic band with draw string closure hug the kart closer for better protection from the elements.

Part No.	Description
RWSC	Kart Racewear Kart Cover

Racer's Tape



RT2001

RT2002

RT2003



RT2004

RT2005

RT2006



RT2007

RT2008

RT2010



RT2012

RT2003N

RT2007N



RT2008N

RT2015N

Standard Duty

Part No.	Color	Size
RT2001	Red	2" x 90'
RT2002	Blue	2" x 90'
RT2003	Yellow	2" x 90'
RT2004	Black	2" x 90'
RT2005	Silver	2" x 90'
RT2006	White	2" x 90'
RT2007	Green	2" x 90'
RT2008	Orange	2" x 90'
RT2010	Purple	2" x 90'
RT2012	Chrome	2" x 90'
RT2003N	Neon Yellow	2" x 90'
RT2007N	Neon Green	2" x 90'
RT2008N	Neon Orange	2" x 90'
RT2015N	Neon Pink	2" x 90'

Part No.	Color	Size
RT5001	Checkered	2" x 45'
RT8014	Non-Skid	2" x 10'
RT8015	Non-Skid	3" x 10'
RT8016	Non-Skid	3" x 10'



RT5001

RT8014

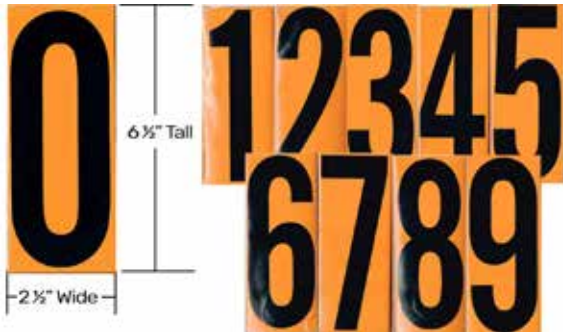


RT8015

RT8016

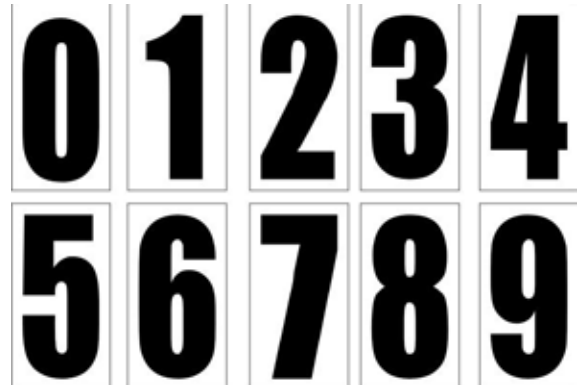
Stick-On Numbers

6 1/2" Black on Yellow



Part No.	Description
DE*Y	Black on Yellow
*specify number 0-9	

6" Standard



Part No.	Description
DE*B	Black Number
DE*W	White Number
*specify number 0-9	

Number Panels

9" x 7 1/4" Stick On Number Panels



DE100

DE200

Part No.	Description
DE100	White Stick-On Panel
DE200	Yellow Stick-On Panel

7" x 10" Flexible Plastic Number Panels



Part No.	Description
Z17060*	Plastic Number Panel
*specify color, B=Black, R=Red, O=Orange, W=White Y=Yellow, BLU=Blue	

Robic Stopwatches



RASC899



RASC100W



RASC505



RASC60

SC-899 Triple Timer

180 Memory Stopwatch, 180 Memory Timer & Countdown Timer

Features:

- 1,2 or 3 competitors at once
- start timers simultaneously or separately
- speed timer in MPH or KPH
- backlit & water resistant

Part No.	Description
RASC899	Robic Triple Timer Stopwatch

Oslo 1000W Dual Stopwatch & Countdown Timer

The best choice in the category! A full 10 hour stopwatch and countdown timer precise to 1/100 second. Assign each person their own color, 20x more powerful than other brands.

Features:

- event, lap or split timing
- 1/100 second precise to 10 hrs.
- 2 finish time memory recall
- colors may vary

Part No.	Description
RASC100W	Robic Timer

SC505 12 Memory Stopwatch

Ultra precise, multi-mode stopwatch with memory recall & lap counter.

Features:

- lap or split timing
- 1/100 second resolution to 24 hrs.
- 12 memory recall
- auto lap counter
- colors may vary

Part No.	Description
RASC505	Robic 12 Memory Timer

SC-606W 50 Dual Memory Stopwatch

Record up to 1000 finish times with memory recall of the previous 50.

Features:

- multi-mode stop watch with lap, split or Dual split timing modes
- 50 dual memory recall of previous readings in ascending or descending order

Part No.	Description
RASC60	Robic 50 Memory Stop Watch

24 Hour Online Ordering Available

www.targetdistributing.net

Customer Number:

Orders: 800-348-5076

Fax: 888-827-9243

Office: 574-272-0252

Hours: Eastern Time Zone

Monday - Thursday

8:00 am to 4:30 pm

Friday

8:00am to 3:00pm



3735 William Richardson Drive
South Bend, IN 46628
Phone: 574-272-0252
Fax: 888-827-9243